



# StoneSheets® WITH STOFIX®

Revision: December 08, 2010

www.knightwallsystems.com

TYPICAL HORIZONTAL JOINT	1A	WINDOW SILL	13
TYPICAL MID-WALL FLASHING	1B	LOUVER SILL	14
TYPICAL VERTICAL JOINT	02	StoneSheets/METAL MID-WALL TRANSITION	15
TYPICAL BASE OF WALL/SILL	03	StoneSheets/METAL OUTSIDE CORNER TRANSITION	16
TYPICAL PARAPET/COPING	4A	StoneSheets/METAL INSIDE CORNER TRANSITION	17
TYPICAL PARAPET/COPING	4B	CONC./TILE TO StoneSheets HORIZ. TRANSITION	18
OUTSIDE CORNER w/ FLASHING	5A	BRICK PANEL TO StoneSheets HORIZ. TRANSITION	19
OUTSIDE CORNER - BUTT	5B	STUCCO TO StoneSheets HORIZONTAL TRANSITION	20
OUTSIDE CORNER - CONTINUOUS	5C	CONC./TILE TO StoneSheets VERT. TRANSITION	21
INSIDE CORNER w/FLASHING	6A	BRICK PANEL TO StoneSheets VERT. TRANSITION	22
INSIDE CORNER - BUTT	6B	STUCCO TO StoneSheets VERTICAL TRANSITION	23
INSIDE CORNER - CONTINUOUS	6C	CONC./TILE TO StoneSheets O.S.C. TRANSITION	24A
WINDOW HEAD	07	CONC./TILE TO StoneSheets O.S.C. TRANSITION	24B
LOUVER HEAD	08	STUCCO TO StoneSheets O.S.C. TRANSITION	25
DOOR HEAD	09	ALL FACADES TO StoneSheets I.S.C. TRANSITION	26A
WINDOW JAMB w/FLASHING	10A	ALL FACADES TO StoneSheets I.S.C. TRANSITION	26B
WINDOW JAMB w/STONE	10B	TYPICAL STOFIX ASSEMBLY	27
LOUVER JAMB w/FLASHING	11A	STOFIX COMPONENTS	28
LOUVER JAMB w/STONE	11B	2", 4" & 6" WALL BRACKETS	29
DOOR JAMB w/FLASHING	12A	PANEL SIZES	30
DOOR JAMB w/STONE	12B		

**NOTE:**  
THESE GUIDELINE DETAILS ARE PROVIDED FOR INFORMATION ONLY AND DO NOT REPLACE THE SERVICES OF A REGISTERED DESIGN PROFESSIONAL.

For multi-cladding transition details, or to download the CAD version of these details, please visit us online at [www.knightwallsystems.com](http://www.knightwallsystems.com)

© Knight Wall Systems  
Deer Park, WA - 509.262.0104  
PATENT PENDING

**TOC** TABLE OF CONTENTS

Scale: N/A

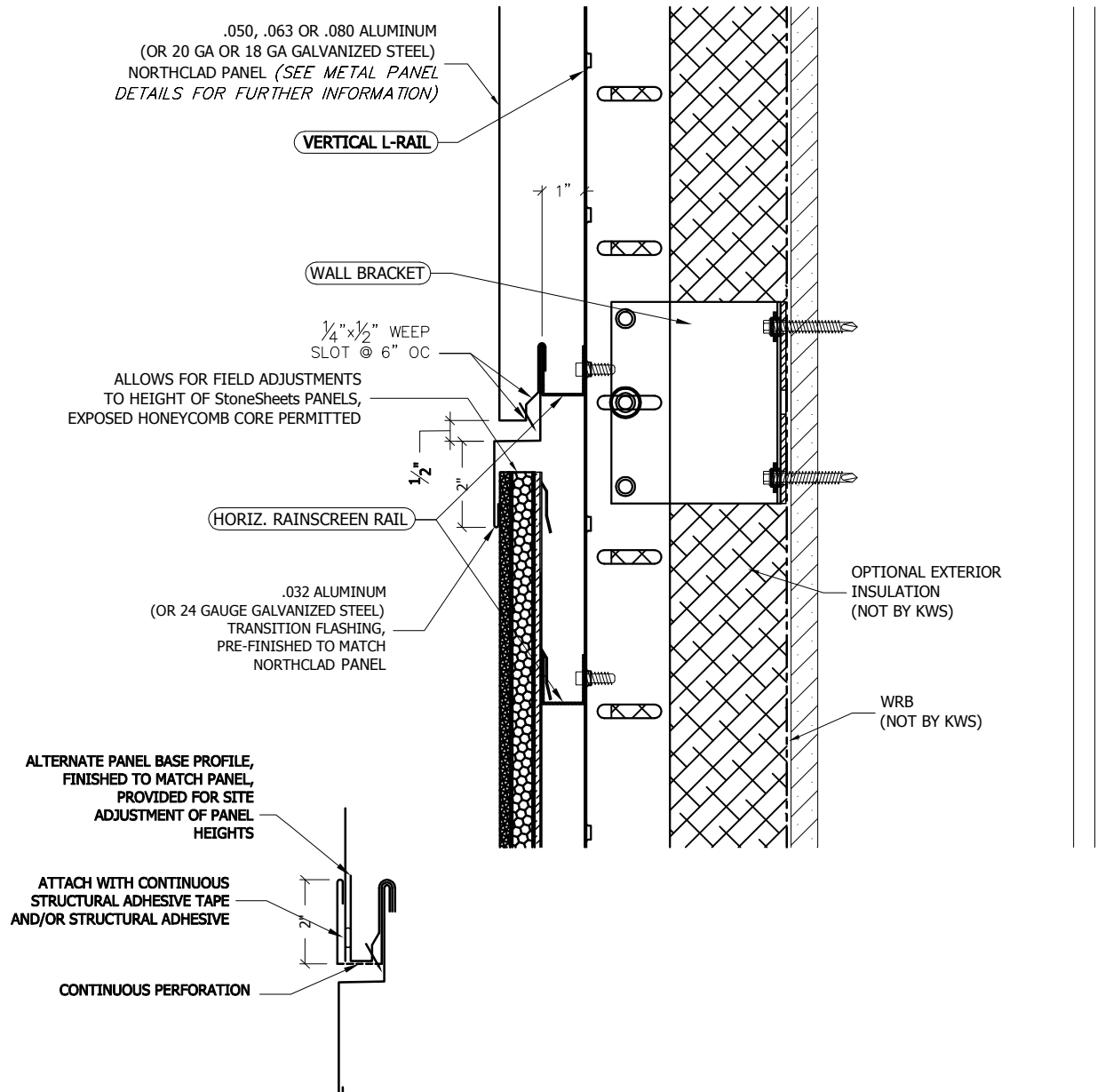
Drawn by: BN



# StoneSheets® WITH STOFIX®

Revision: December 08, 2010

www.knightwallsystems.com



**NOTE:**  
THESE GUIDELINE DETAILS ARE PROVIDED FOR  
INFORMATION ONLY AND DO NOT REPLACE THE  
SERVICES OF A REGISTERED DESIGN PROFESSIONAL.

For multi-cladding transition details, or to download the  
CAD version of these details, please visit us online at  
www.knightwallsystems.com

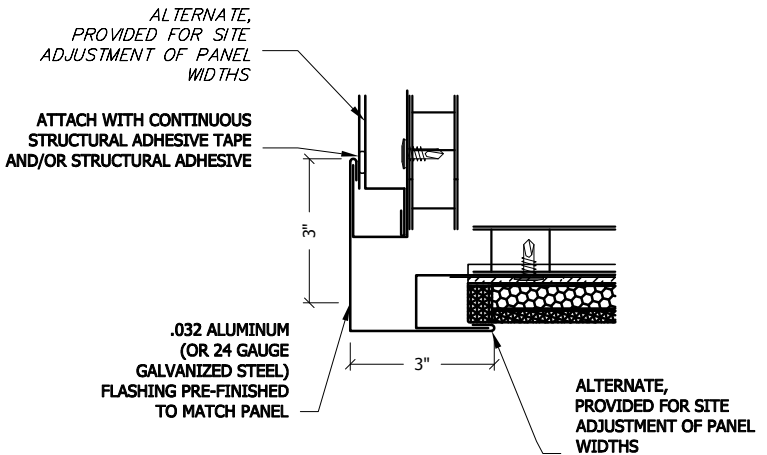
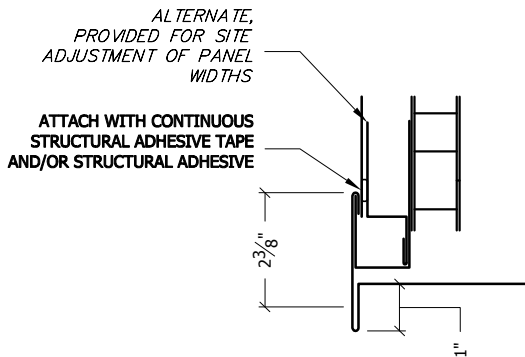
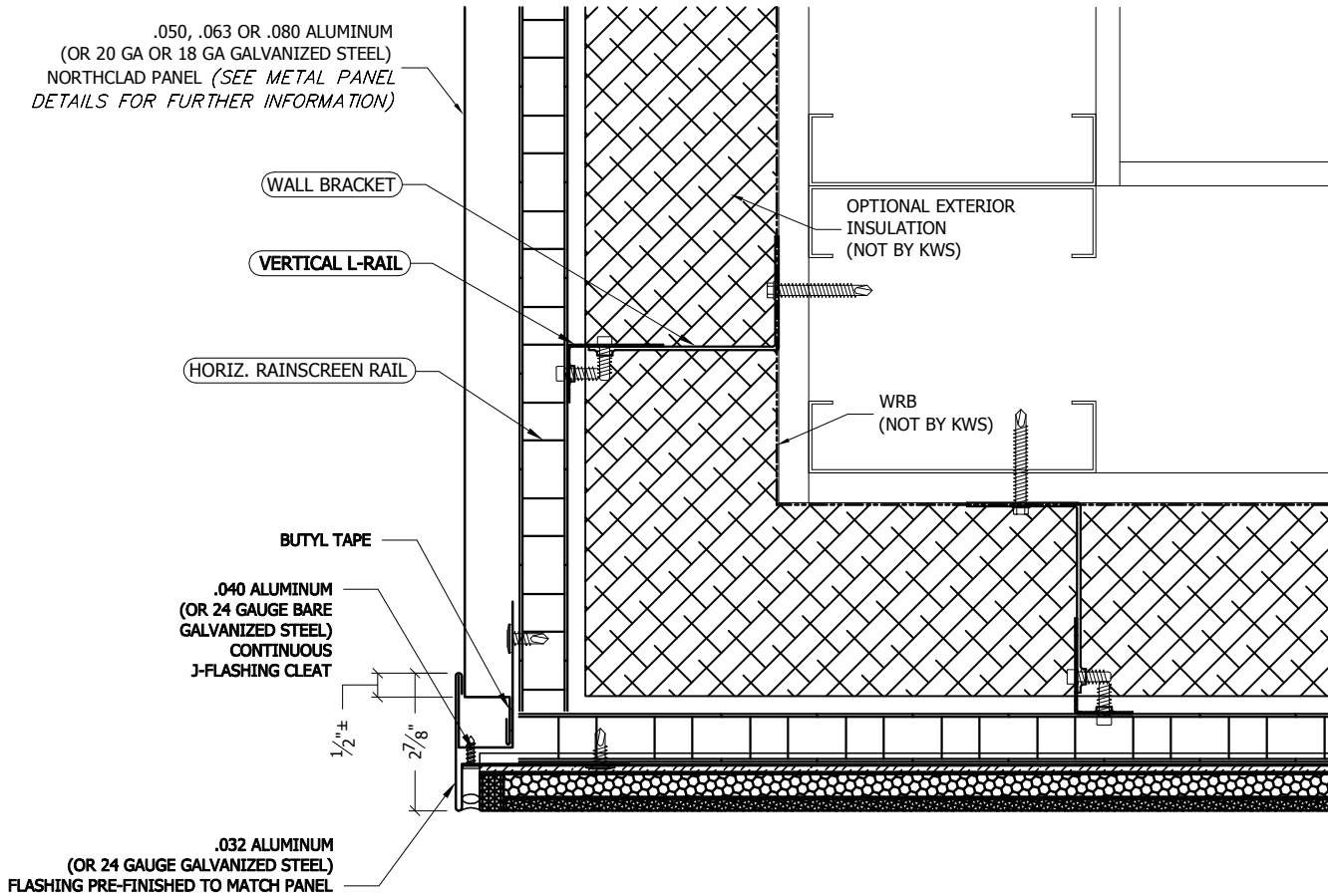
© Knight Wall Systems  
Deer Park, WA - 509.262.0104  
PATENT PENDING



# StoneSheets® WITH STOFIX®

Revision: December 08, 2010

www.knightwallsystems.com



## 16 ALTERNATE O.S.C.

Scale: 3"=1'

**NOTE:**  
THESE GUIDELINE DETAILS ARE PROVIDED FOR  
INFORMATION ONLY AND DO NOT REPLACE THE  
SERVICES OF A REGISTERED DESIGN PROFESSIONAL.

For multi-cladding transition details, or to download the  
CAD version of these details, please visit us online at  
www.knightwallsystems.com

© Knight Wall Systems  
Deer Park, WA - 509.262.0104  
PATENT PENDING

## 16 StoneSheets TO METAL O.S.C. TRANSITION

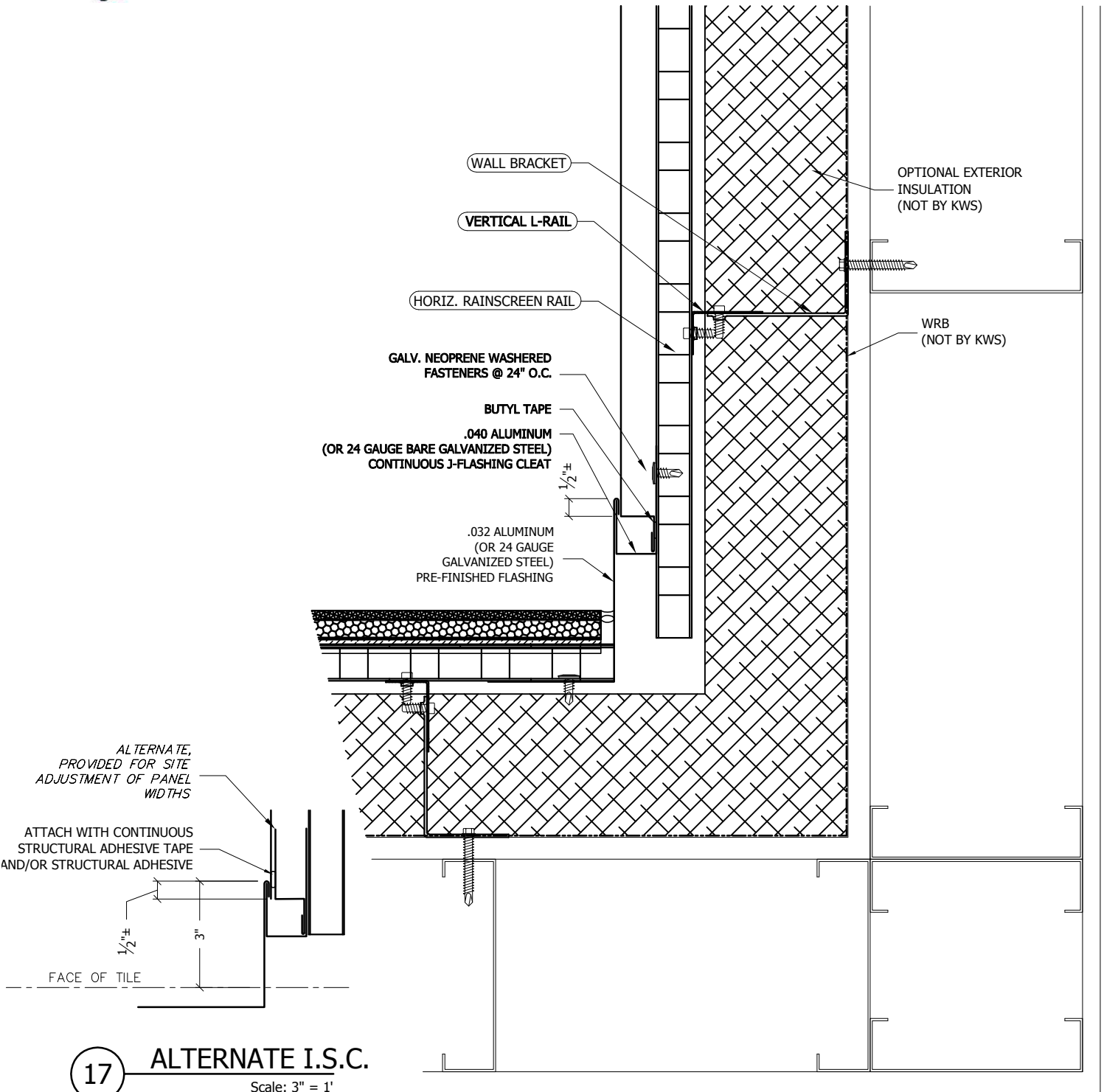
Scale: 3" = 1'-0" Drawn by: BN



# StoneSheets® WITH STOFIX®

Revision: December 08, 2010

www.knightwallsystems.com



**NOTE:**  
THESE GUIDELINE DETAILS ARE PROVIDED FOR INFORMATION ONLY AND DO NOT REPLACE THE SERVICES OF A REGISTERED DESIGN PROFESSIONAL.

For multi-cladding transition details, or to download the CAD version of these details, please visit us online at [www.knightwallsystems.com](http://www.knightwallsystems.com)

© Knight Wall Systems  
Deer Park, WA - 509.262.0104  
PATENT PENDING

## 17 StoneSheets TO METAL I.S.C. TRANSITION

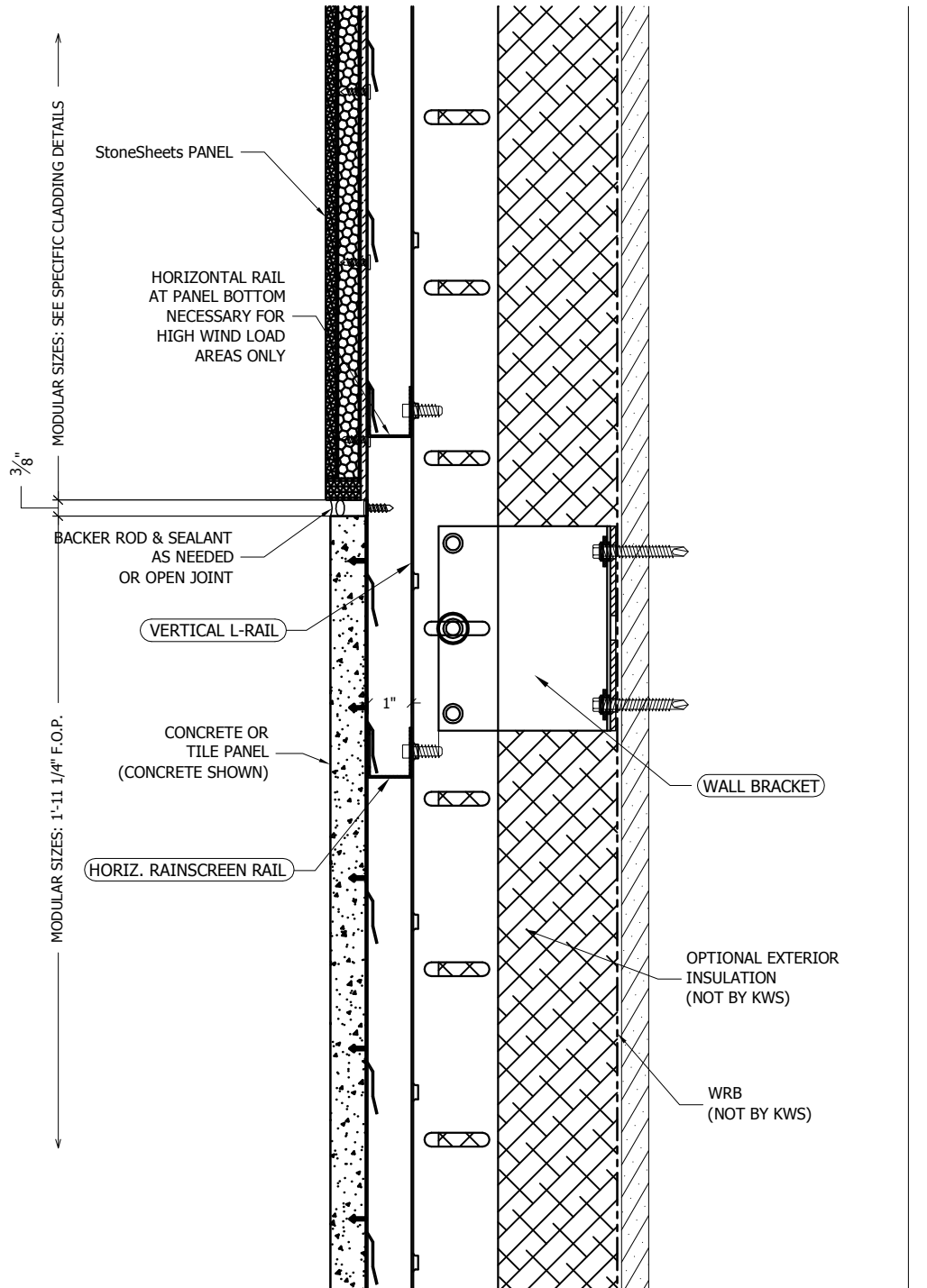
Scale: 3" = 1'-0" Drawn by: BN



# StoneSheets® WITH STOFIX®

Revision: December 08, 2010

www.knightwallsystems.com



**NOTE:**  
 THESE GUIDELINE DETAILS ARE PROVIDED FOR  
 INFORMATION ONLY AND DO NOT REPLACE THE  
 SERVICES OF A REGISTERED DESIGN PROFESSIONAL.

For multi-cladding transition details, or to download the  
 CAD version of these details, please visit us online at  
 www.knightwallsystems.com

© Knight Wall Systems  
 Deer Park, WA - 509.262.0104  
 PATENT PENDING

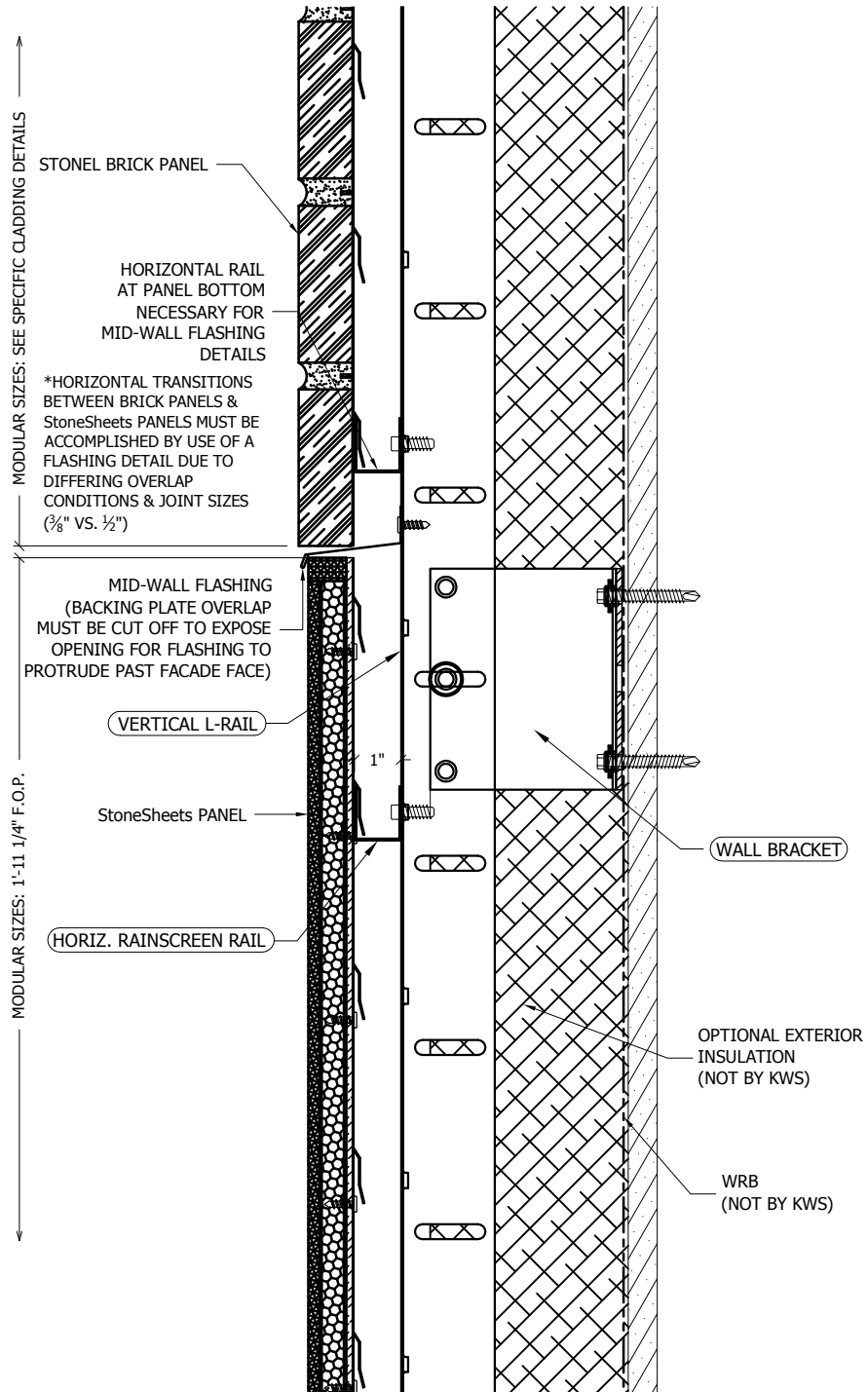


**KNIGHT**  
WALL SYSTEMS

# StoneSheets® WITH STOFIX®

Revision: December 08, 2010

www.knightwallsystems.com



**NOTE:**

THESE GUIDELINE DETAILS ARE PROVIDED FOR INFORMATION ONLY AND DO NOT REPLACE THE SERVICES OF A REGISTERED DESIGN PROFESSIONAL.

For multi-cladding transition details, or to download the CAD version of these details, please visit us online at [www.knightwallsystems.com](http://www.knightwallsystems.com)

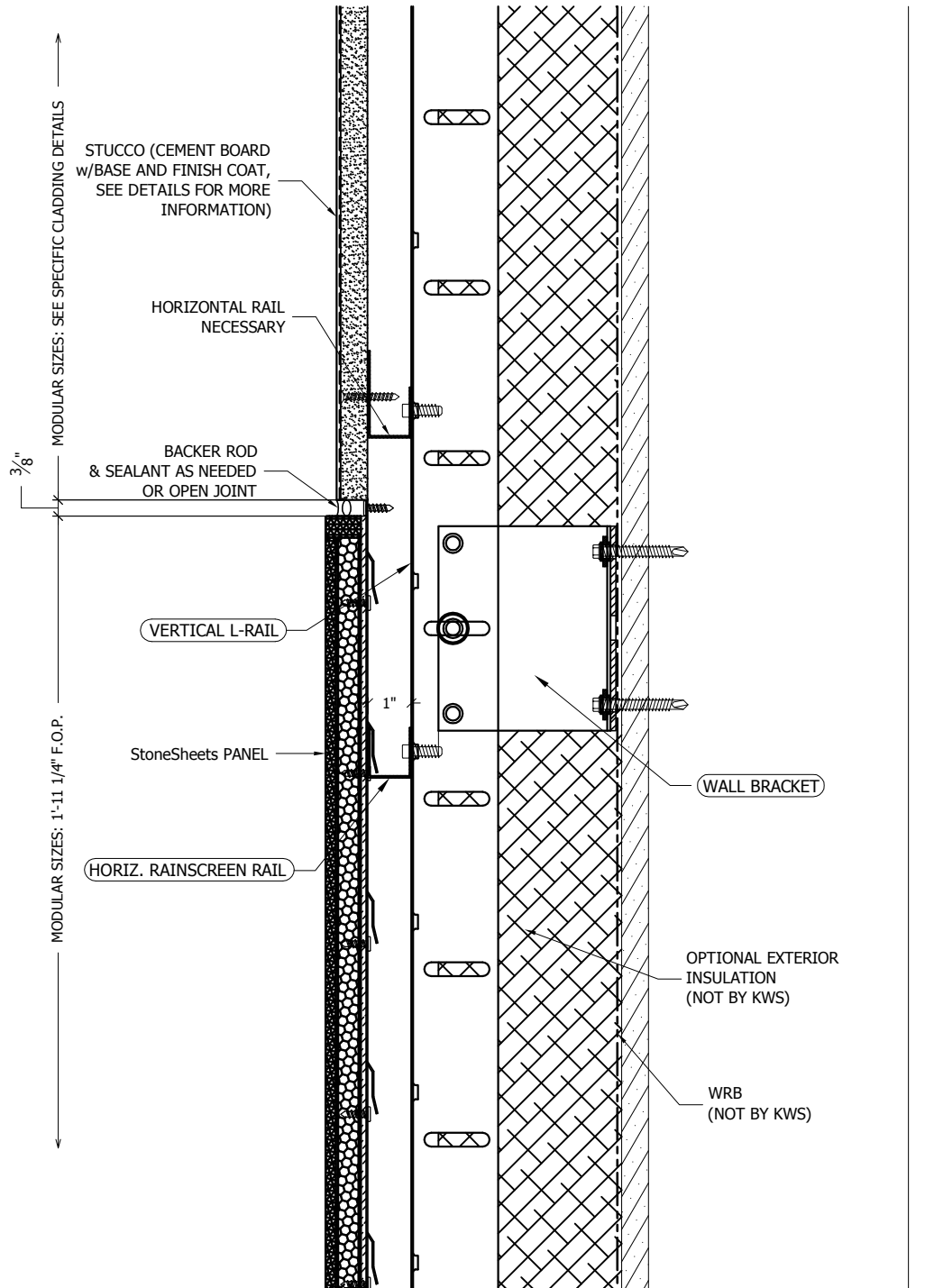
© Knight Wall Systems  
Deer Park, WA - 509.262.0104  
PATENT PENDING



# StoneSheets® WITH STOFIX®

Revision: December 08, 2010

www.knightwallsystems.com



**NOTE:**

THESE GUIDELINE DETAILS ARE PROVIDED FOR INFORMATION ONLY AND DO NOT REPLACE THE SERVICES OF A REGISTERED DESIGN PROFESSIONAL.

For multi-cladding transition details, or to download the CAD version of these details, please visit us online at [www.knightwallsystems.com](http://www.knightwallsystems.com)

© Knight Wall Systems  
Deer Park, WA - 509.262.0104  
PATENT PENDING

20

StnShts-STUCCO HORIZ. TRANSITION

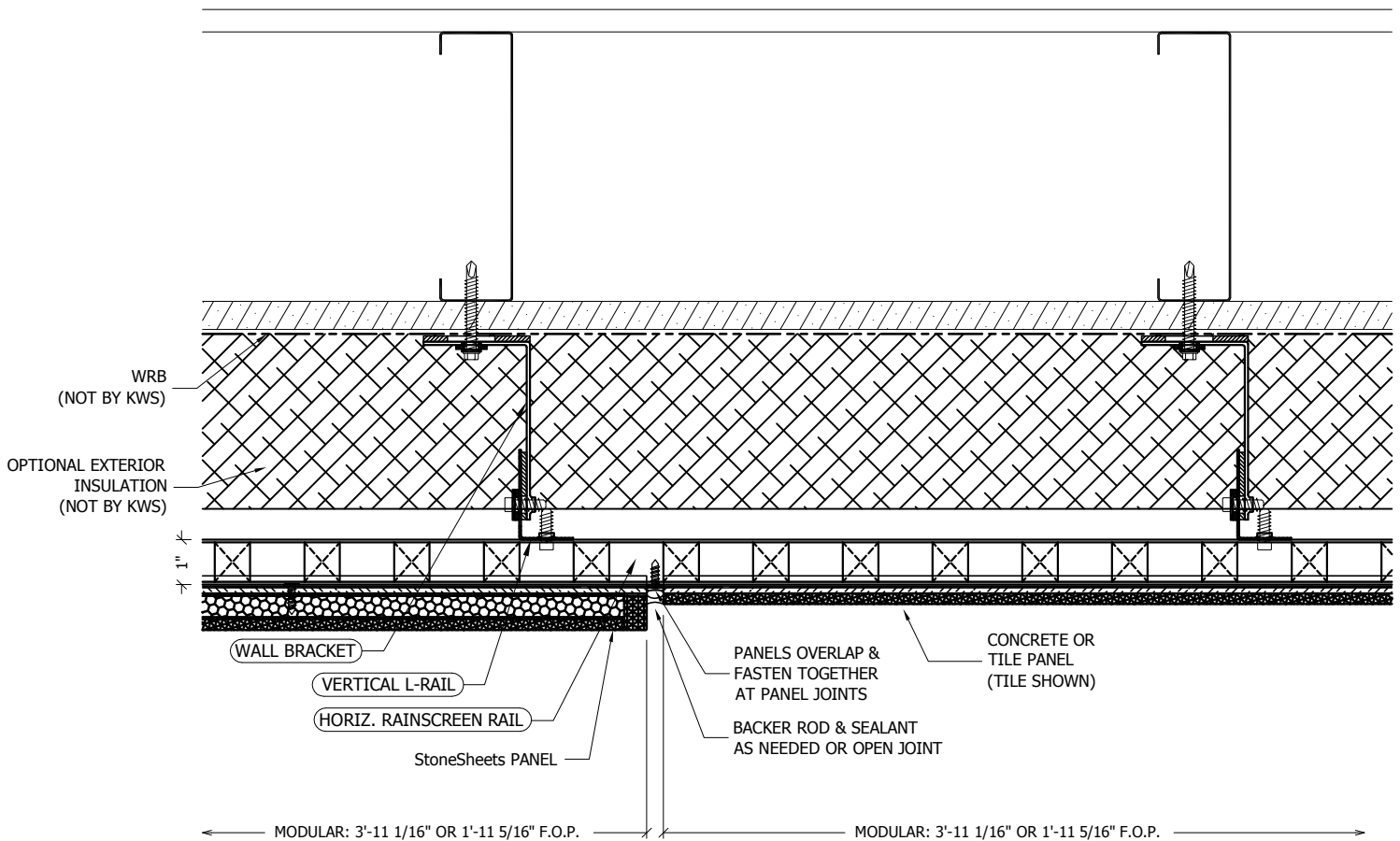
Scale: 3" = 1'-0" Drawn by: BN



# StoneSheets® WITH STOFIX®

Revision: December 08, 2010

www.knightwallsystems.com



**NOTE:**

THESE GUIDELINE DETAILS ARE PROVIDED FOR INFORMATION ONLY AND DO NOT REPLACE THE SERVICES OF A REGISTERED DESIGN PROFESSIONAL.

For multi-cladding transition details, or to download the CAD version of these details, please visit us online at [www.knightwallsystems.com](http://www.knightwallsystems.com)

© Knight Wall Systems  
Deer Park, WA - 509.262.0104  
PATENT PENDING

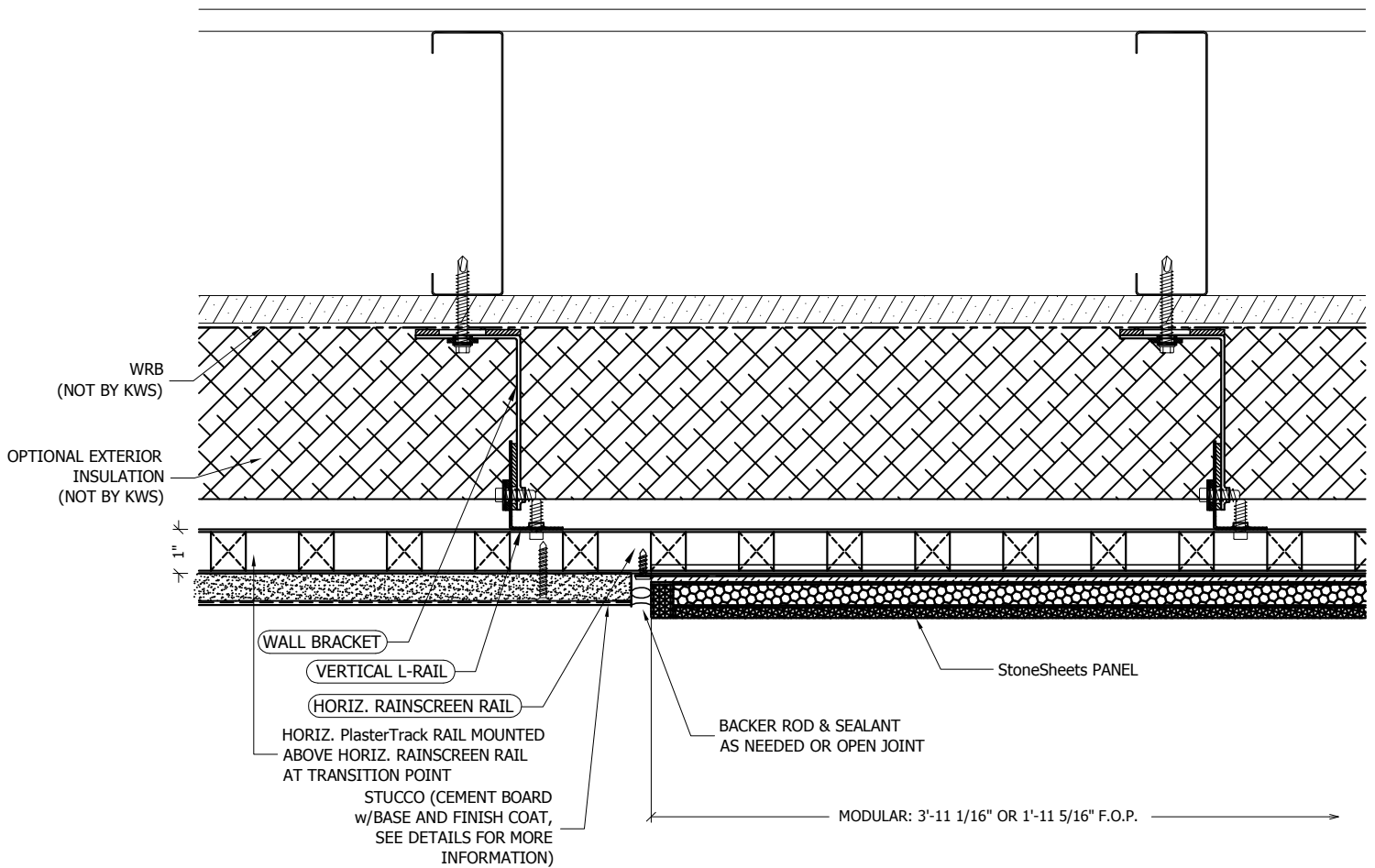




# StoneSheets® WITH STOFIX®

Revision: December 08, 2010

www.knightwallsystems.com



**NOTE:**  
 THESE GUIDELINE DETAILS ARE PROVIDED FOR INFORMATION ONLY AND DO NOT REPLACE THE SERVICES OF A REGISTERED DESIGN PROFESSIONAL.

For multi-cladding transition details, or to download the CAD version of these details, please visit us online at [www.knightwallsystems.com](http://www.knightwallsystems.com)

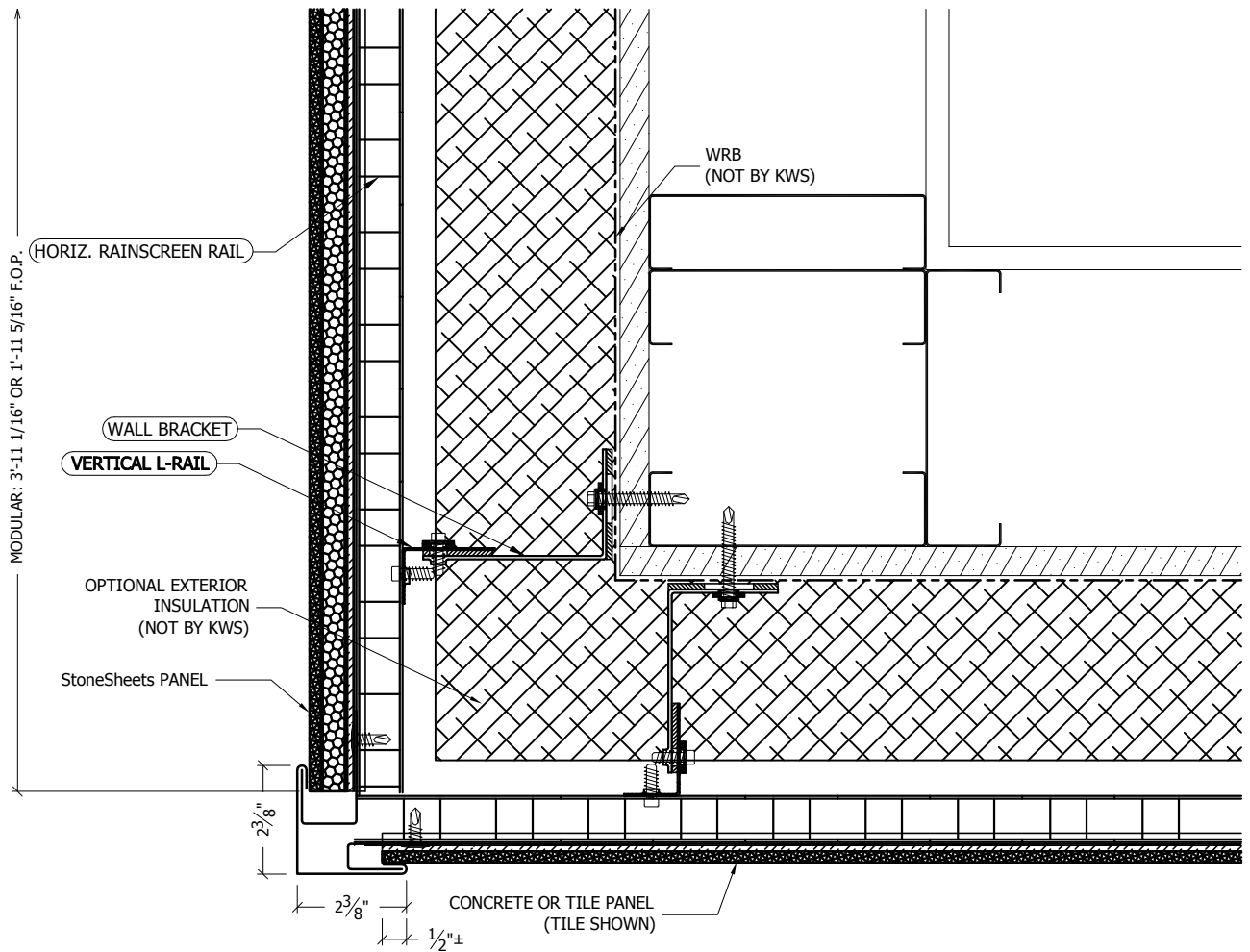
© Knight Wall Systems  
 Deer Park, WA - 509.262.0104  
 PATENT PENDING



# StoneSheets® WITH STOFIX®

Revision: December 08, 2010

www.knightwallsystems.com



**NOTE:**  
 THESE GUIDELINE DETAILS ARE PROVIDED FOR INFORMATION ONLY AND DO NOT REPLACE THE SERVICES OF A REGISTERED DESIGN PROFESSIONAL.

For multi-cladding transition details, or to download the CAD version of these details, please visit us online at [www.knightwallsystems.com](http://www.knightwallsystems.com)

© Knight Wall Systems  
 Deer Park, WA - 509.262.0104  
 PATENT PENDING

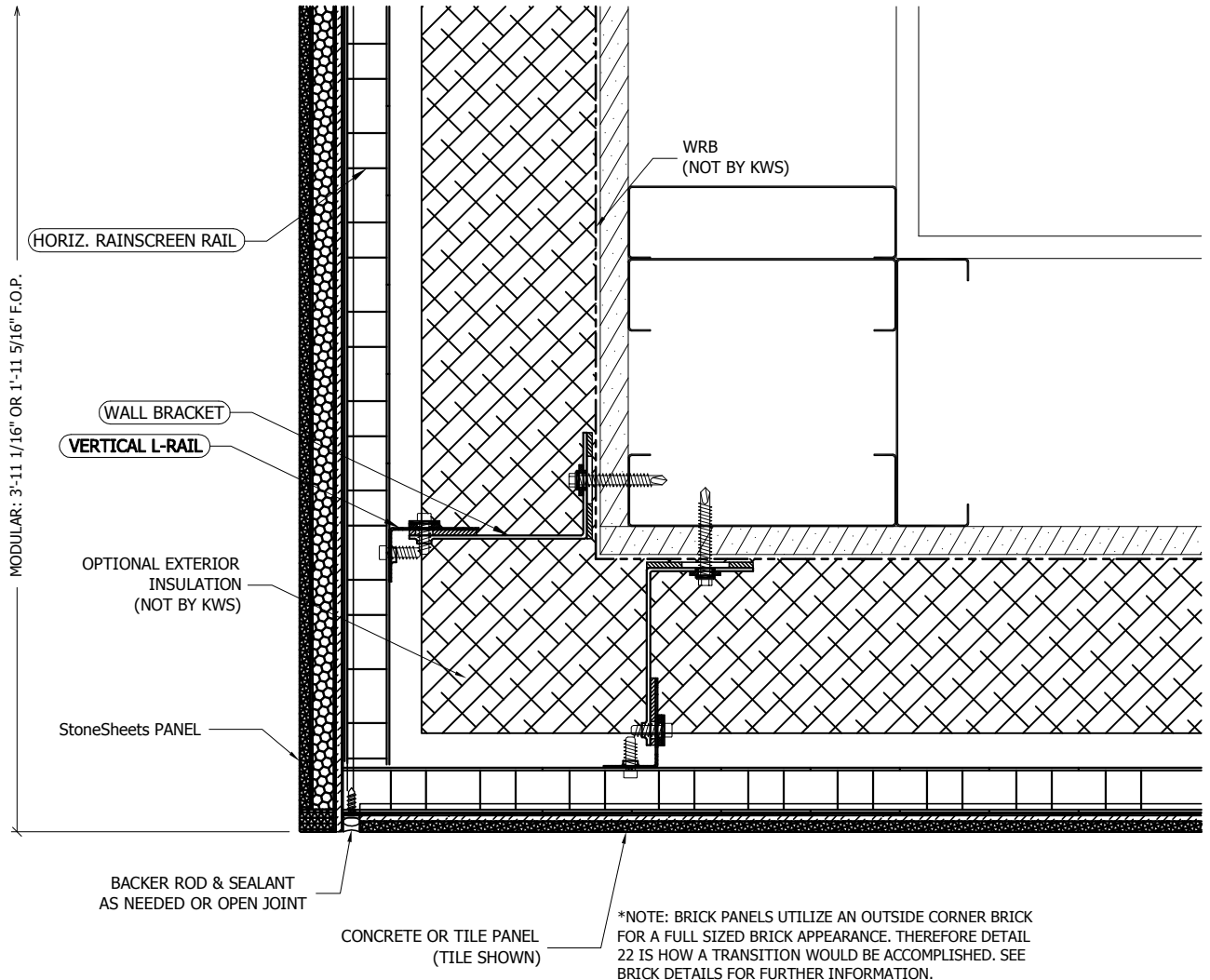
**24A** StnShts-CONC./TILE O.S.C. TRANSITION  
 Scale: 3" = 1'-0" Drawn by: BN



# StoneSheets® WITH STOFIX®

Revision: December 08, 2010

www.knightwallsystems.com



**NOTE:**  
 THESE GUIDELINE DETAILS ARE PROVIDED FOR  
 INFORMATION ONLY AND DO NOT REPLACE THE  
 SERVICES OF A REGISTERED DESIGN PROFESSIONAL.

For multi-cladding transition details, or to download the  
 CAD version of these details, please visit us online at  
[www.knightwallsystems.com](http://www.knightwallsystems.com)

© Knight Wall Systems  
 Deer Park, WA - 509.262.0104  
 PATENT PENDING

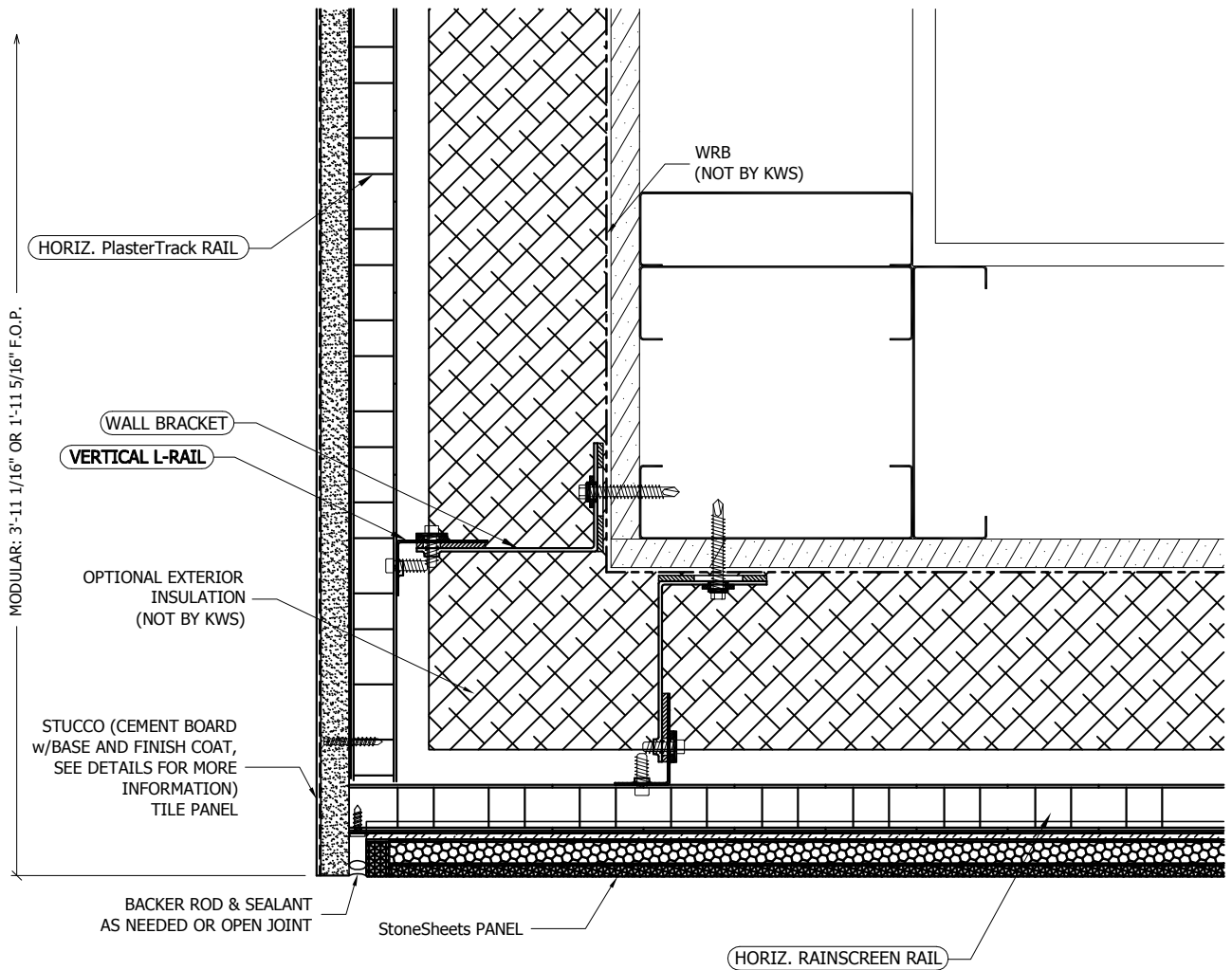
**24B** StnShts-CONC./TILE O.S.C. TRANSITION  
 Scale: 3" = 1'-0" Drawn by: BN



# StoneSheets® WITH STOFIX®

Revision: December 08, 2010

www.knightwallsystems.com



**NOTE:**

THESE GUIDELINE DETAILS ARE PROVIDED FOR INFORMATION ONLY AND DO NOT REPLACE THE SERVICES OF A REGISTERED DESIGN PROFESSIONAL.

For multi-cladding transition details, or to download the CAD version of these details, please visit us online at [www.knightwallsystems.com](http://www.knightwallsystems.com)

© Knight Wall Systems  
Deer Park, WA - 509.262.0104  
PATENT PENDING

**25**

## StoneSheets-STUCCO O.S.C. TRANSITION

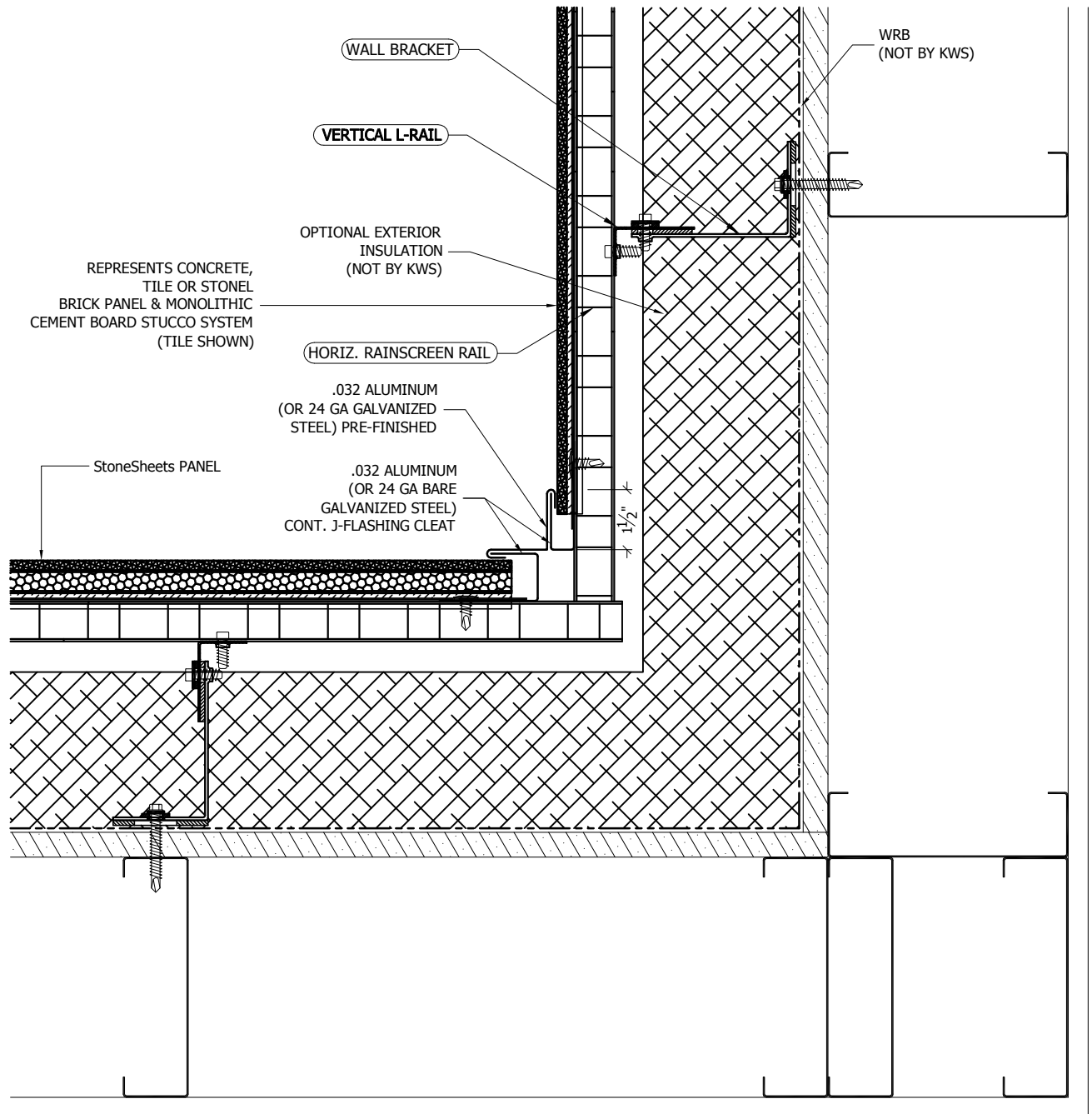
Scale: 3" = 1'-0" Drawn by: BN



# StoneSheets® WITH STOFIX®

Revision: December 08, 2010

www.knightwallsystems.com



**NOTE:**  
 THESE GUIDELINE DETAILS ARE PROVIDED FOR  
 INFORMATION ONLY AND DO NOT REPLACE THE  
 SERVICES OF A REGISTERED DESIGN PROFESSIONAL.

For multi-cladding transition details, or to download the  
 CAD version of these details, please visit us online at  
[www.knightwallsystems.com](http://www.knightwallsystems.com)

© Knight Wall Systems  
 Deer Park, WA - 509.262.0104  
 PATENT PENDING

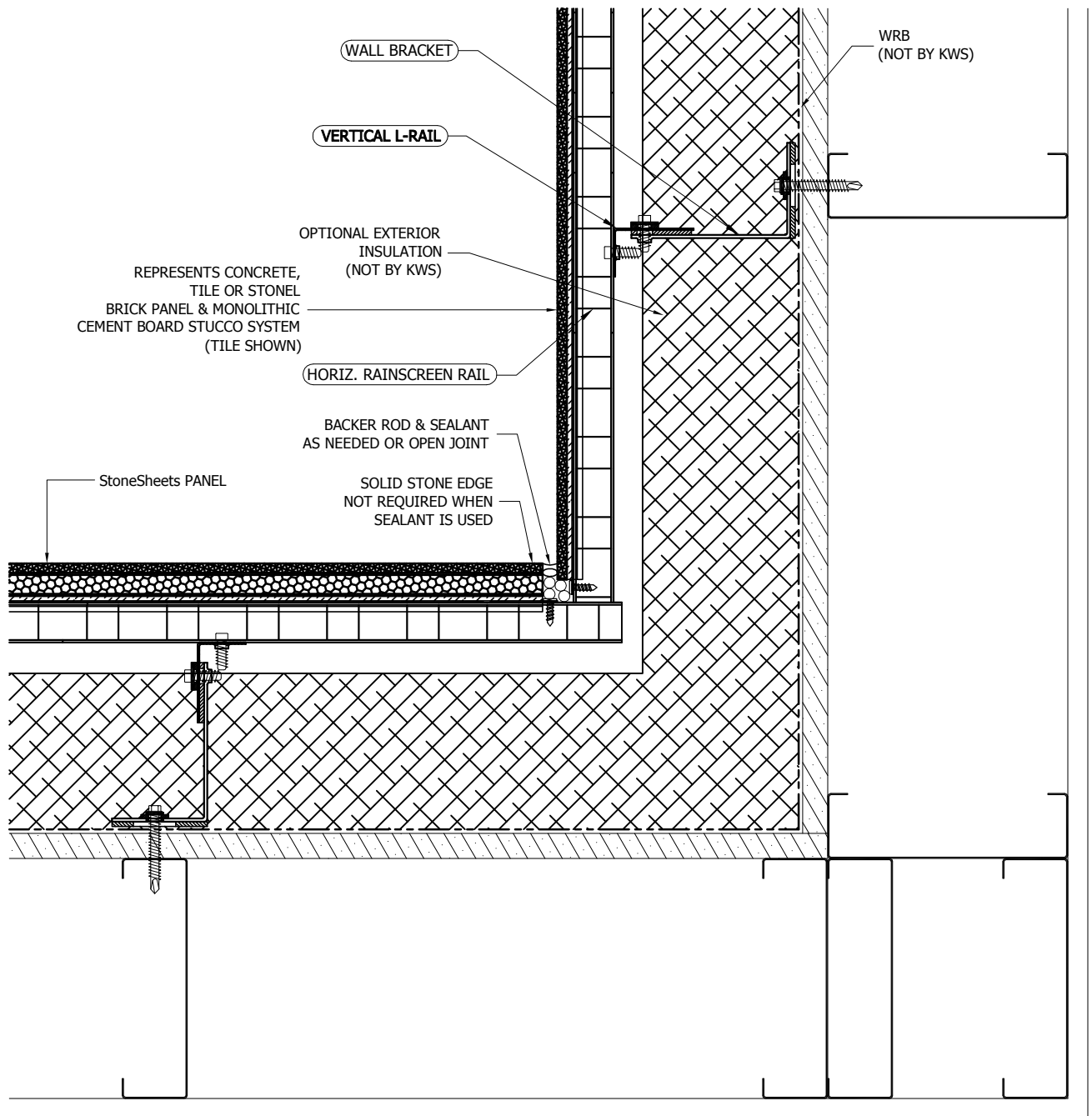
**26A** StnShts-ALL FACADES I.S.C. TRANSITION  
 Scale: 3" = 1'-0" Drawn by: BN



# StoneSheets® WITH STOFIX®

Revision: December 08, 2010

www.knightwallsystems.com



**NOTE:**  
 THESE GUIDELINE DETAILS ARE PROVIDED FOR  
 INFORMATION ONLY AND DO NOT REPLACE THE  
 SERVICES OF A REGISTERED DESIGN PROFESSIONAL.

For multi-cladding transition details, or to download the  
 CAD version of these details, please visit us online at  
[www.knightwallsystems.com](http://www.knightwallsystems.com)

© Knight Wall Systems  
 Deer Park, WA - 509.262.0104  
 PATENT PENDING

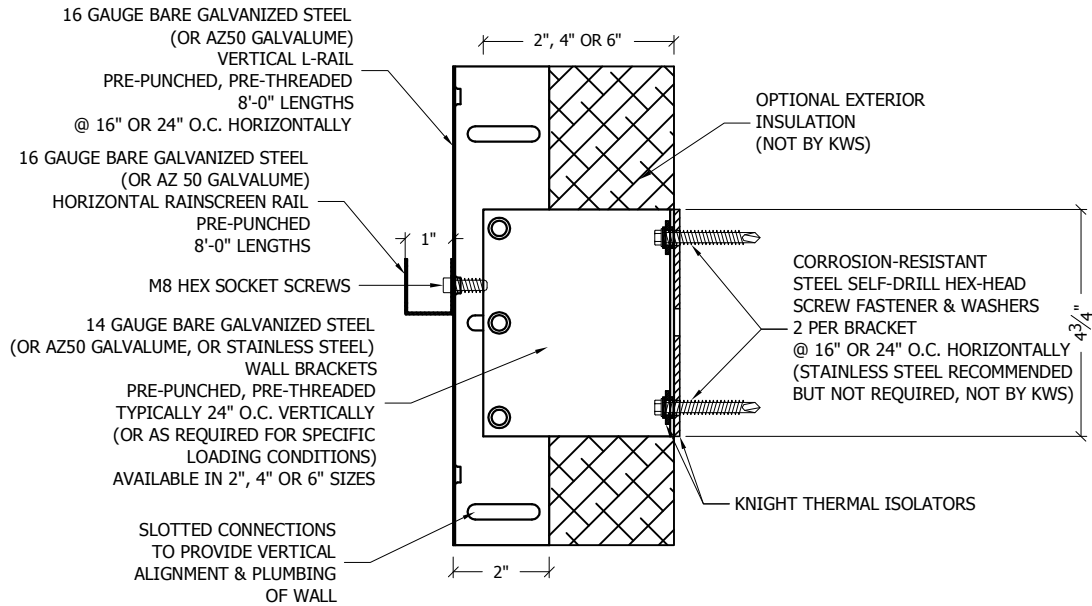
**26B** StnShts-ALL FACADES I.S.C. TRANSITION  
 Scale: 3" = 1'-0" Drawn by: BN



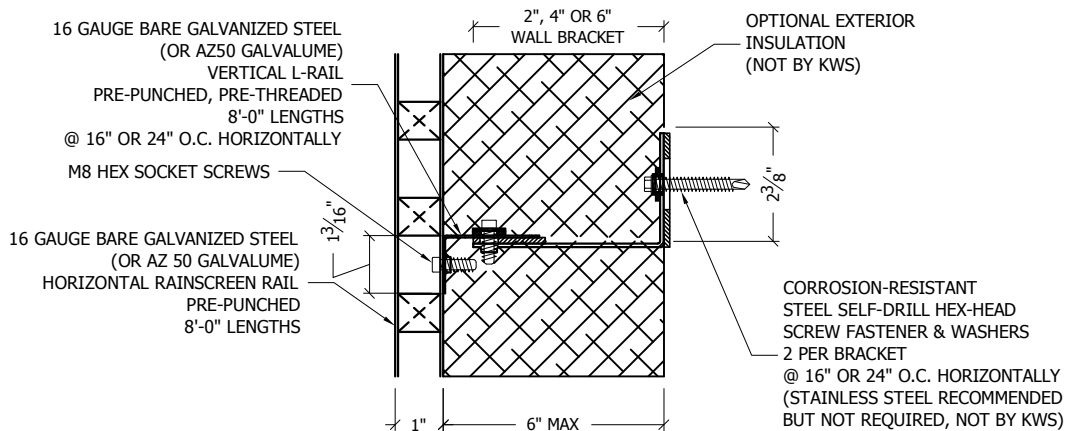
# StoneSheets® WITH STOFIX®

Revision: December 08, 2010

www.knightwallsystems.com



**SECTION VIEW**  
Scale: 3" = 1'



**PLAN VIEW**  
Scale: 3" = 1'

**NOTE:**  
THESE GUIDELINE DETAILS ARE PROVIDED FOR INFORMATION ONLY AND DO NOT REPLACE THE SERVICES OF A REGISTERED DESIGN PROFESSIONAL.

For multi-cladding transition details, or to download the CAD version of these details, please visit us online at [www.knightwallsystems.com](http://www.knightwallsystems.com)

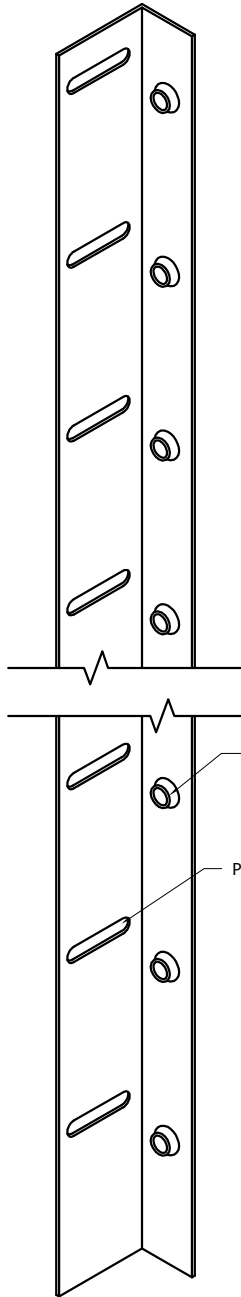
© Knight Wall Systems  
Deer Park, WA - 509.262.0104  
PATENT PENDING



# StoneSheets® WITH STOFIX®

Revision: December 08, 2010

www.knightwallsystems.com



PRE-PUNCHED & PRE-THREADED FOR M8 SCREW @ 3.937" O.C.

PRE-PUNCHED SLOT @ 3.937" O.C.

**2 VERTICAL L-RAIL**  
Scale: 3" = 1'

PRE-PUNCHED SLOTS (FASTENER  $\phi$  MAX =  $\frac{3}{8}$ " )

PRE-PUNCHED, PRE-THREADED FOR M8 SCREW

MIDDLE HOLE USED FOR MID-RAIL CONNECTION, TOP & BOTTOM HOLE USED AT VERTICAL L-RAIL JOINTS TO MAINTAIN PROPER ALIGNMENT

PRE-PUNCHED HOLE

**1 WALL BRACKET**

Scale: 3" = 1'

PRE-PUNCHED SLOTS @ 2" O.C.

PRE-PUNCHED ACCESS HOLES @ 2" O.C.

PRE-PUNCHED VENTILATION SLOTS @ 1.25" O.C.

**3 HORIZ. RAIL**

Scale: 3" = 1'

**NOTE:**

THESE GUIDELINE DETAILS ARE PROVIDED FOR INFORMATION ONLY AND DO NOT REPLACE THE SERVICES OF A REGISTERED DESIGN PROFESSIONAL.

For multi-cladding transition details, or to download the CAD version of these details, please visit us online at [www.knightwallsystems.com](http://www.knightwallsystems.com)

© Knight Wall Systems  
Deer Park, WA - 509.262.0104  
PATENT PENDING

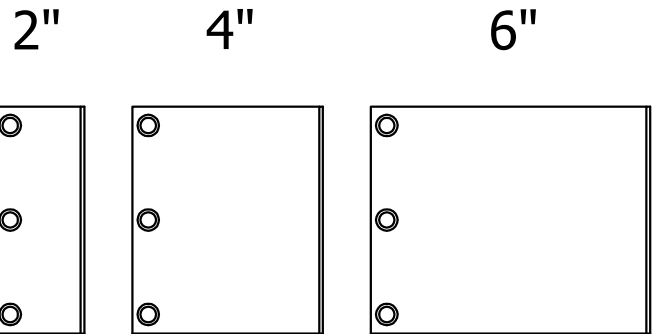


# StoneSheets® WITH STOFIX®

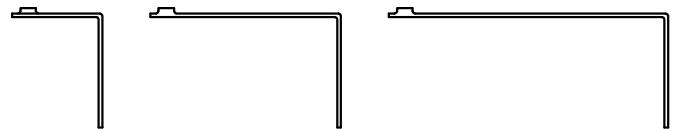
Revision: December 08, 2010

www.knightwallsystems.com

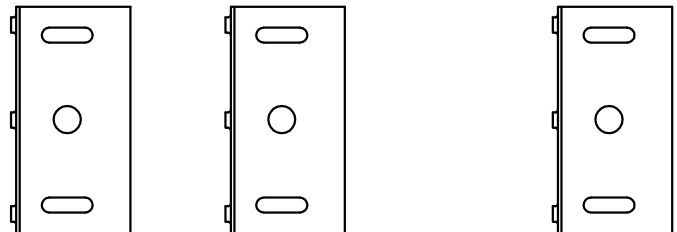
SIDE (SECTION) VIEW



PROFILE (PLAN) VIEW



FRONT (ELEVATION) VIEW



**NOTE:**

THESE GUIDELINE DETAILS ARE PROVIDED FOR INFORMATION ONLY AND DO NOT REPLACE THE SERVICES OF A REGISTERED DESIGN PROFESSIONAL.

For multi-cladding transition details, or to download the CAD version of these details, please visit us online at [www.knightwallsystems.com](http://www.knightwallsystems.com)

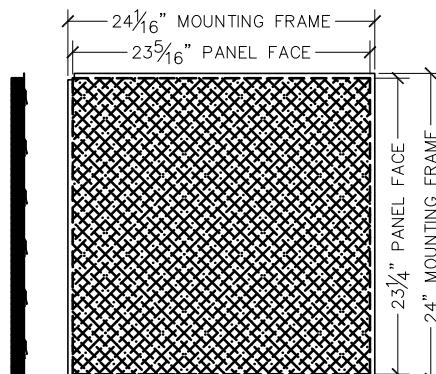
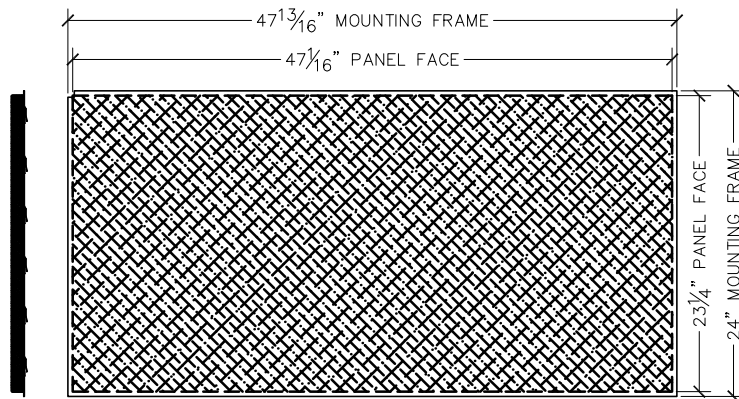
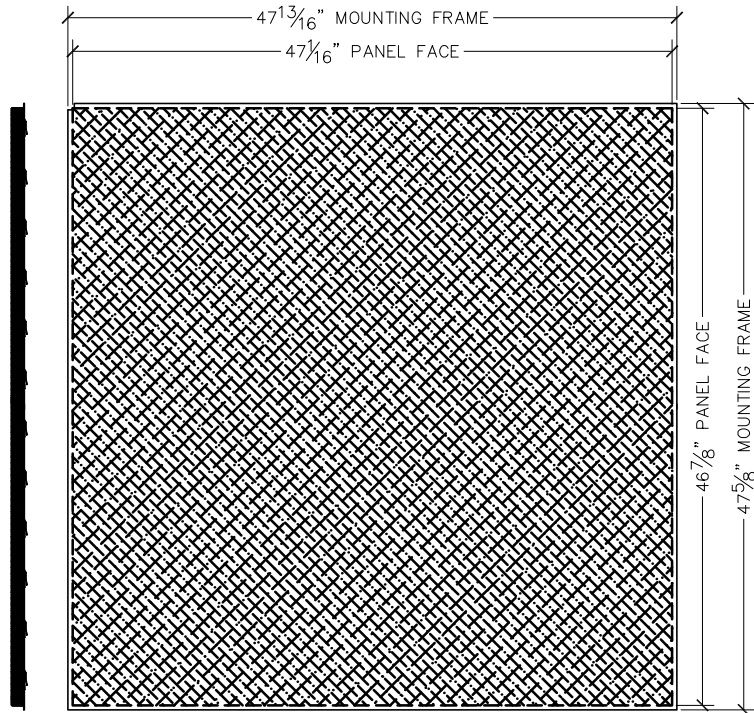
© Knight Wall Systems  
Deer Park, WA - 509.262.0104  
PATENT PENDING



# StoneSheets® WITH STOFIX®

Revision: December 08, 2010

www.knightwallsystems.com



**NOTE:**  
THESE GUIDELINE DETAILS ARE PROVIDED FOR INFORMATION ONLY AND DO NOT REPLACE THE SERVICES OF A REGISTERED DESIGN PROFESSIONAL.

For multi-cladding transition details, or to download the CAD version of these details, please visit us online at [www.knightwallsystems.com](http://www.knightwallsystems.com)

© Knight Wall Systems  
Deer Park, WA - 509.262.0104  
PATENT PENDING

## 30 PANEL SIZES

Scale: NTS

Drawn by: BN