

A RS-Rail - AXONOMETRIC
Scale: NTS

- TYPICAL SECTION VIEW
Scale: 3"=1'-0"

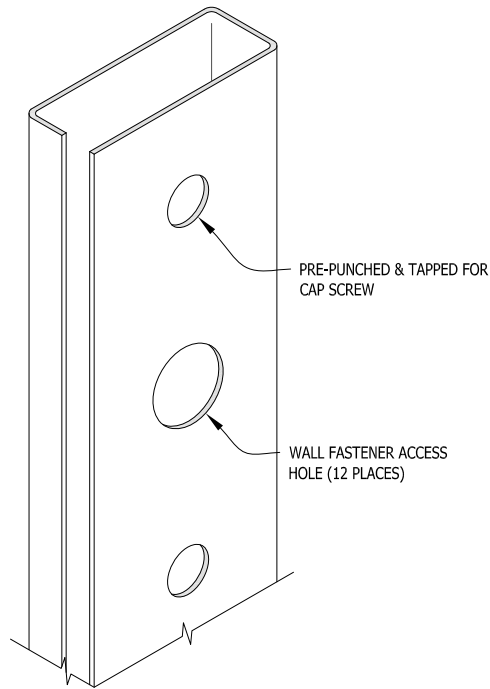
PARTS LIST:

- | | |
|---|---|
| <ul style="list-style-type: none"> (A) RS-Rail (B) STAINLESS STEEL CAP SCREW BY KWS (C) CI-Girt™ (D) THERMAL ISOLATOR AT EACH WALL FASTENER, TYP. (E) NO. 12 CORROSION RESISTANT FASTENER. STAINLESS STEEL FASTENER AVAILABLE WHICH PROVIDES SUPERIOR CORROSION RESISTANCE AND IMPROVED THERMAL PERFORMANCE. CONTACT KWS FOR MORE INFORMATION. | <ul style="list-style-type: none"> (F) BACKING ATTACHMENT FRAME STRUCTURALLY ADHERED & MECHANICALLY FASTENED TO KNIGHT™ SERIES TILE PANEL (G) DOW STYROFOAM™ SPRAY POLYURETHANE FOAM CM SERIES (H) DOW THERMAX™ (ci) (EXTERIOR INSULATION) (I) KNIGHT™ SERIES TILE PANEL (J) DOW WEATHERMATE™ STRAIGHT FLASHING (AT JOINTS IN DOW THERMAX™ & WINDOW DETAILS) |
|---|---|

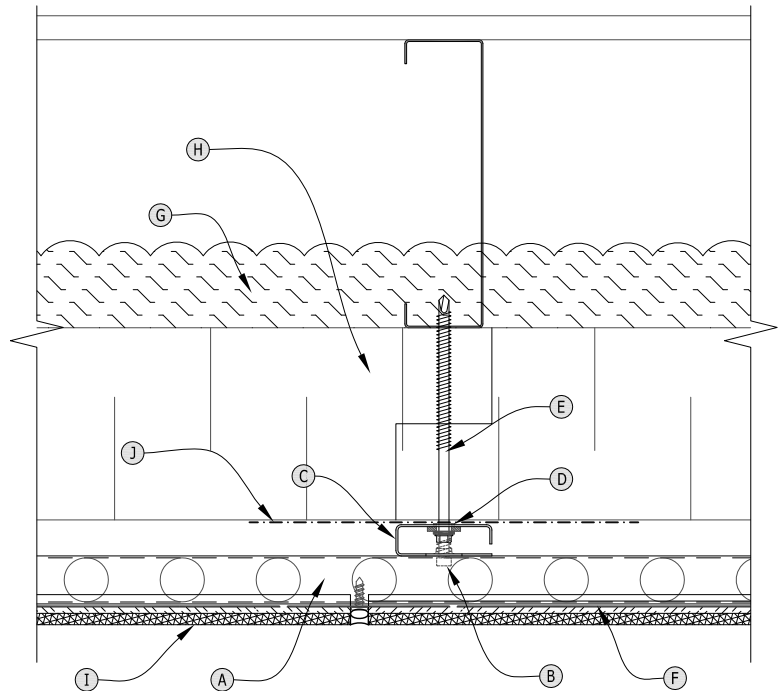
NOTE:
THESE GUIDE DETAILS ARE PROVIDED FOR INFORMATION ONLY. PROJECT SPECIFIC DESIGNS ARE AVAILABLE THAT ADDRESS STRUCTURAL ATTACHMENT, THERMAL PERFORMANCE AND WEATHERPROOFING. CONTACT KWS FOR FURTHER DETAILS. For multi-cladding transition details, or to download the CAD version of these details, please visit us online at www.knightwallsystems.com
© Knight Wall Systems
Deer Park, WA - 509.262.0104
PATENT PENDING

1 PARTS LIST - WALL SECTION
Scale: As Noted

DATE: 03/31/11



C CI Girt - AXONOMETRIC
Scale: NTS



- TYPICAL PLAN VIEW
Scale: 3"=1'-0"

PARTS LIST:

- | | |
|---|---|
| <p>(A) RS-Rail</p> <p>(B) STAINLESS STEEL CAP SCREW BY KWS</p> <p>(C) CI-Girt™</p> <p>(D) THERMAL ISOLATOR AT EACH WALL FASTENER, TYP.</p> <p>(E) NO. 12 CORROSION RESISTANT FASTENER. STAINLESS STEEL FASTENER AVAILABLE WHICH PROVIDES SUPERIOR CORROSION RESISTANCE AND IMPROVED THERMAL PERFORMANCE. CONTACT KWS FOR MORE INFORMATION.</p> | <p>(F) BACKING ATTACHMENT FRAME STRUCTURALLY ADHERED & MECHANICALLY FASTENED TO KNIGHT™ SERIES TILE PANEL</p> <p>(G) DOW STYROFOAM™ SPRAY POLYURETHANE FOAM CM SERIES</p> <p>(H) DOW THERMAX™ (ci) (EXTERIOR INSULATION)</p> <p>(I) KNIGHT™ SERIES TILE PANEL</p> <p>(J) DOW WEATHERMATE™ STRAIGHT FLASHING (AT JOINTS IN DOW THERMAX™ & WINDOW DETAILS)</p> |
|---|---|

NOTE:
THESE GUIDE DETAILS ARE PROVIDED FOR INFORMATION ONLY. PROJECT SPECIFIC DESIGNS ARE AVAILABLE THAT ADDRESS STRUCTURAL ATTACHMENT, THERMAL PERFORMANCE AND WEATHERPROOFING. CONTACT KWS FOR FURTHER DETAILS. For multi-cladding transition details, or to download the CAD version of these details, please visit us online at www.knightwallsystems.com
© Knight Wall Systems
Deer Park, WA - 509.262.0104
PATENT PENDING

2

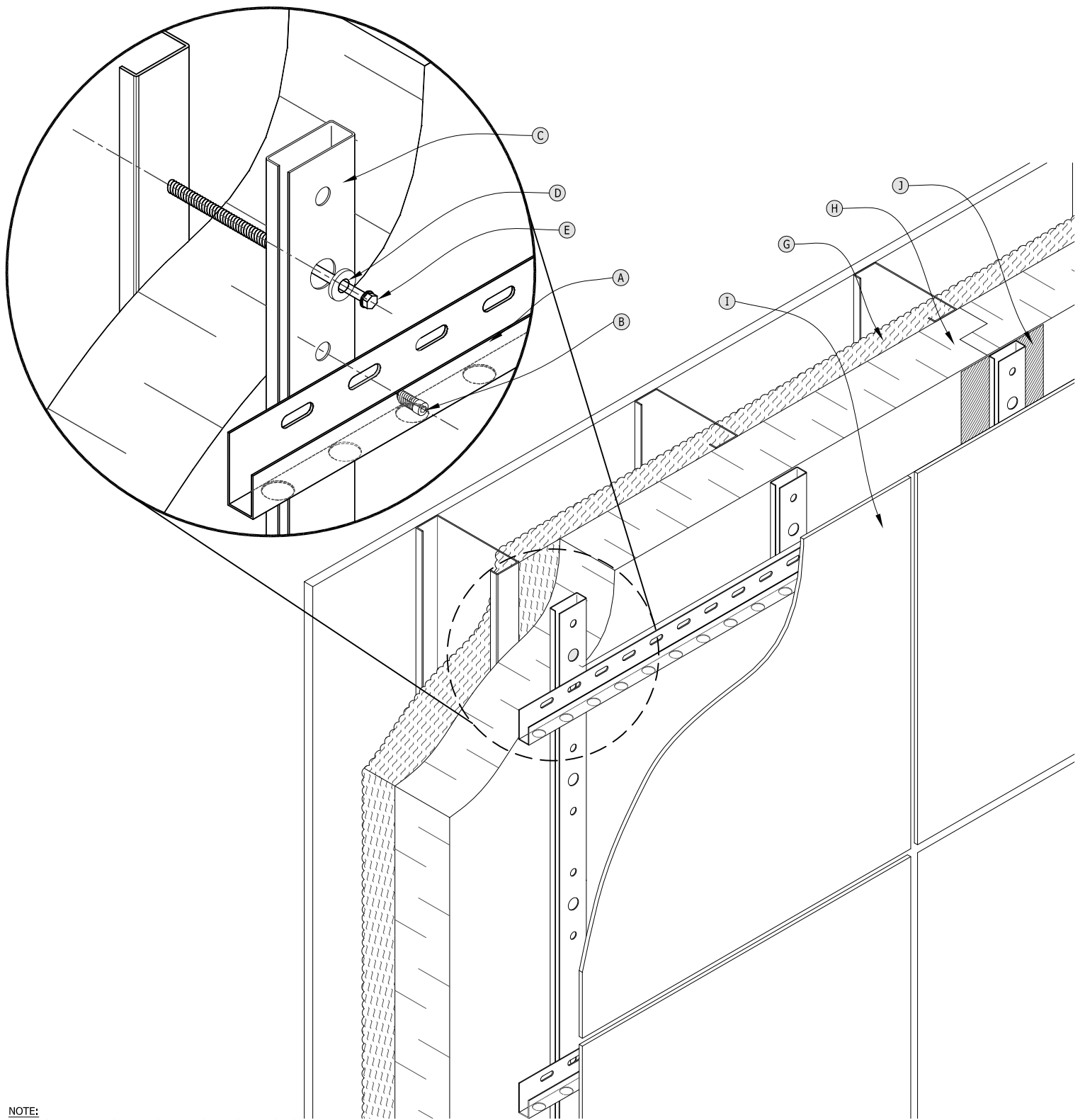
PARTS LIST - WALL PLAN

Scale: As Noted

DATE: 03/31/11



**KNIGHT™ SERIES
TILE PANELS
THERMAX™ WALL SYSTEM
GUIDE DETAIL**



NOTE:
 THESE GUIDE DETAILS ARE PROVIDED FOR INFORMATION ONLY.
 PROJECT SPECIFIC DESIGNS ARE AVAILABLE THAT ADDRESS
 STRUCTURAL ATTACHMENT, THERMAL PERFORMANCE AND
 WEATHERPROOFING. CONTACT KWS FOR FURTHER DETAILS.
 For multi-cladding transition details, or to download the CAD version
 of these details, please visit us online at
www.knightwallsystems.com
 © Knight Wall Systems
 Deer Park, WA - 509.262.0104
 PATENT PENDING

3

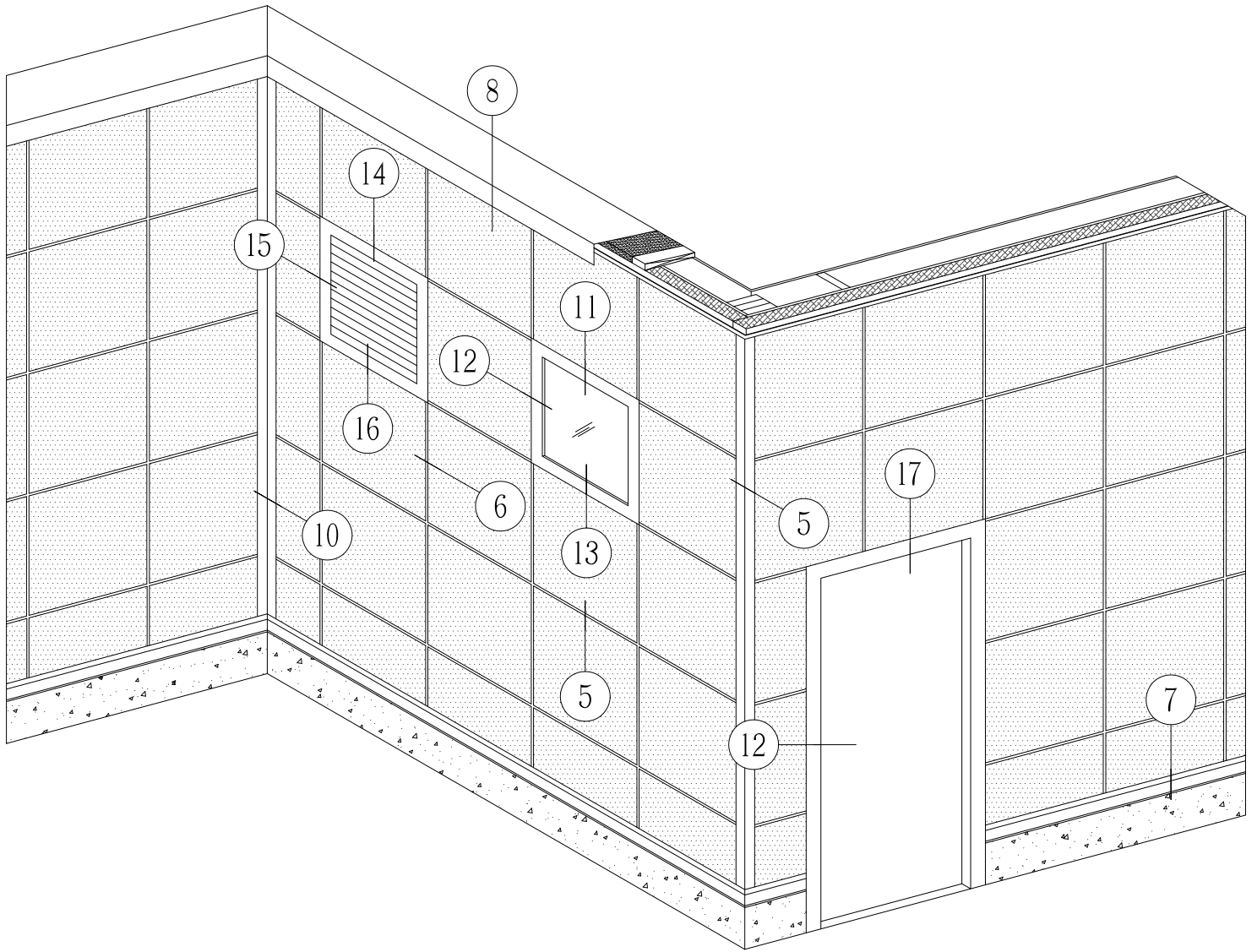
WALL - AXONOMETRIC

Scale: NTS

DATE: 03/31/11



**KNIGHT™ SERIES
 TILE PANELS
 THERMAX™ WALL SYSTEM
 GUIDE DETAIL**



NOTE:
 THESE GUIDE DETAILS ARE PROVIDED FOR INFORMATION ONLY.
 PROJECT SPECIFIC DESIGNS ARE AVAILABLE THAT ADDRESS
 STRUCTURAL ATTACHMENT, THERMAL PERFORMANCE AND
 WEATHERPROOFING. CONTACT KWS FOR FURTHER DETAILS.
 For multi-cladding transition details, or to download the CAD version
 of these details, please visit us online at
www.knightwallsystems.com
 © Knight Wall Systems
 Deer Park, WA - 509.262.0104
 PATENT PENDING

4

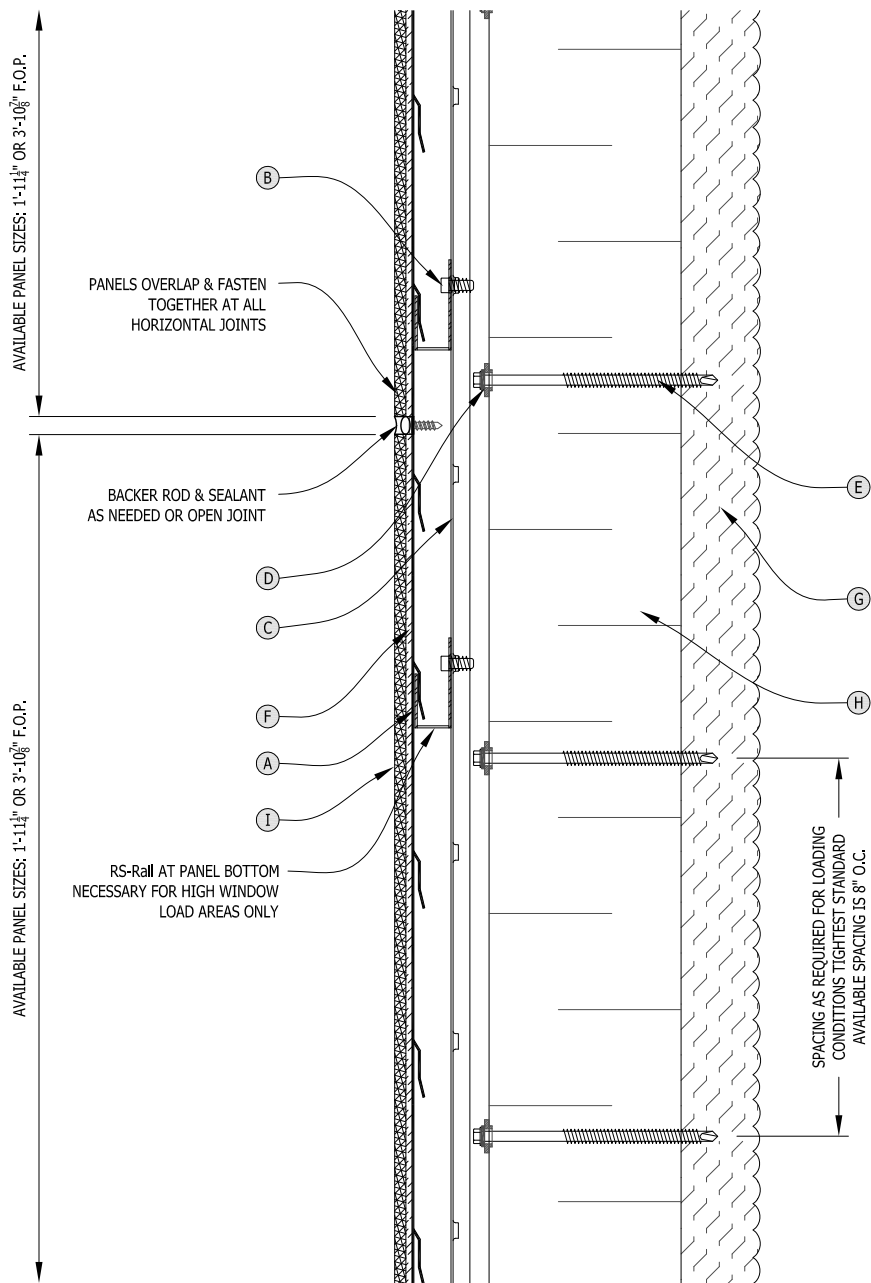
DETAIL REFERENCES

Scale: NTS

DATE: 03/31/11



KNIGHT™ SERIES
 TILE PANELS
 THERMAX™ WALL SYSTEM
 GUIDE DETAIL



NOTE:
 THESE GUIDE DETAILS ARE PROVIDED FOR INFORMATION ONLY.
 PROJECT SPECIFIC DESIGNS ARE AVAILABLE THAT ADDRESS
 STRUCTURAL ATTACHMENT, THERMAL PERFORMANCE AND
 WEATHERPROOFING. CONTACT KWS FOR FURTHER DETAILS.
 For multi-cladding transition details, or to download the CAD version
 of these details, please visit us online at
www.knightwallsystems.com
 © Knight Wall Systems
 Deer Park, WA - 509.262.0104
 PATENT PENDING

5

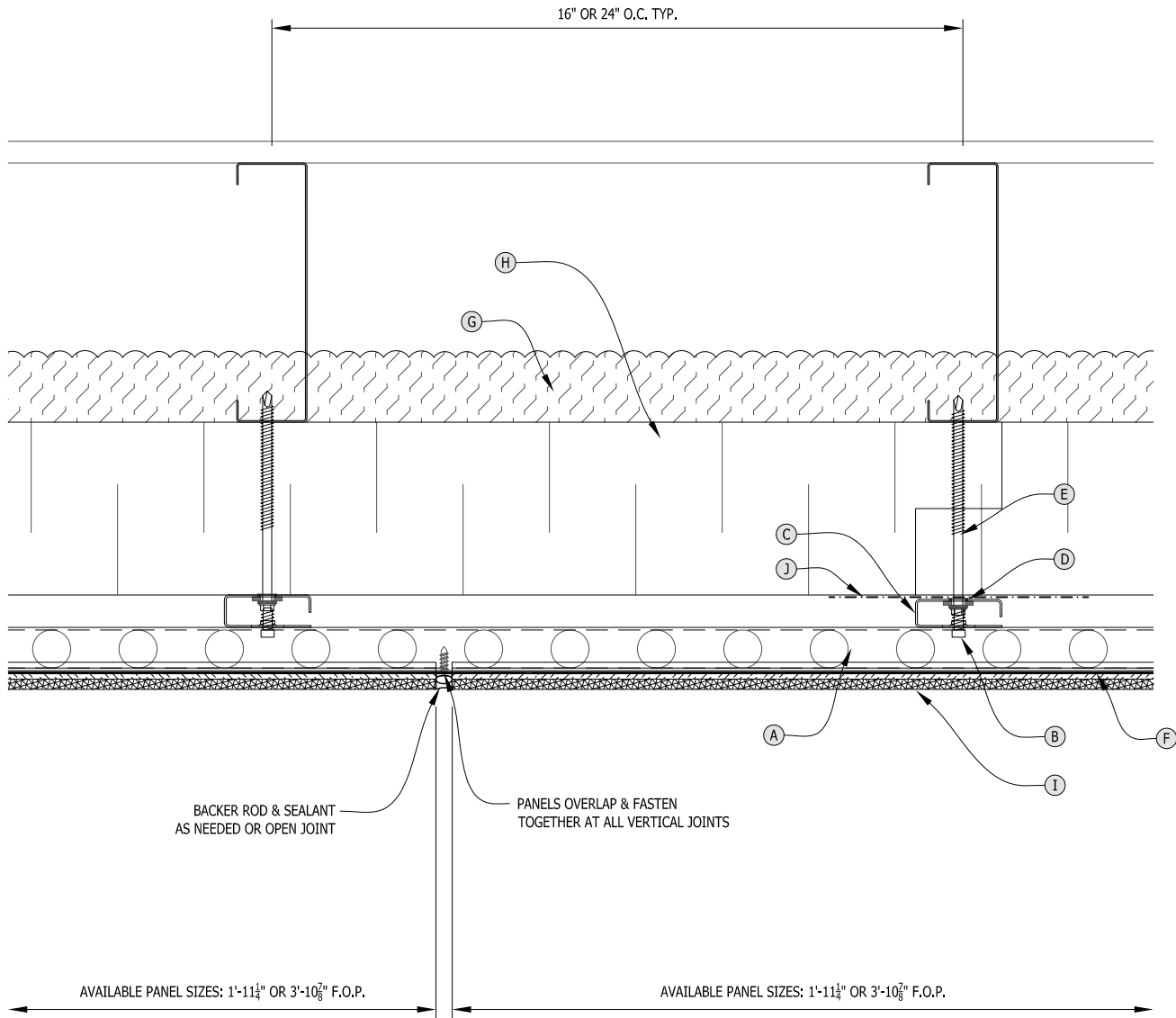
TYPICAL HORIZONTAL JOINT

Scale: 3" = 1'-0"

DATE: 03/31/11



**KNIGHT™ SERIES
 TILE PANELS
 THERMAX™ WALL SYSTEM
 GUIDE DETAIL**



NOTE:
 THESE GUIDE DETAILS ARE PROVIDED FOR INFORMATION ONLY.
 PROJECT SPECIFIC DESIGNS ARE AVAILABLE THAT ADDRESS
 STRUCTURAL ATTACHMENT, THERMAL PERFORMANCE AND
 WEATHERPROOFING. CONTACT KWS FOR FURTHER DETAILS.
 For multi-cladding transition details, or to download the CAD version
 of these details, please visit us online at
www.knightwallsystems.com
 © Knight Wall Systems
 Deer Park, WA - 509.262.0104
 PATENT PENDING

6

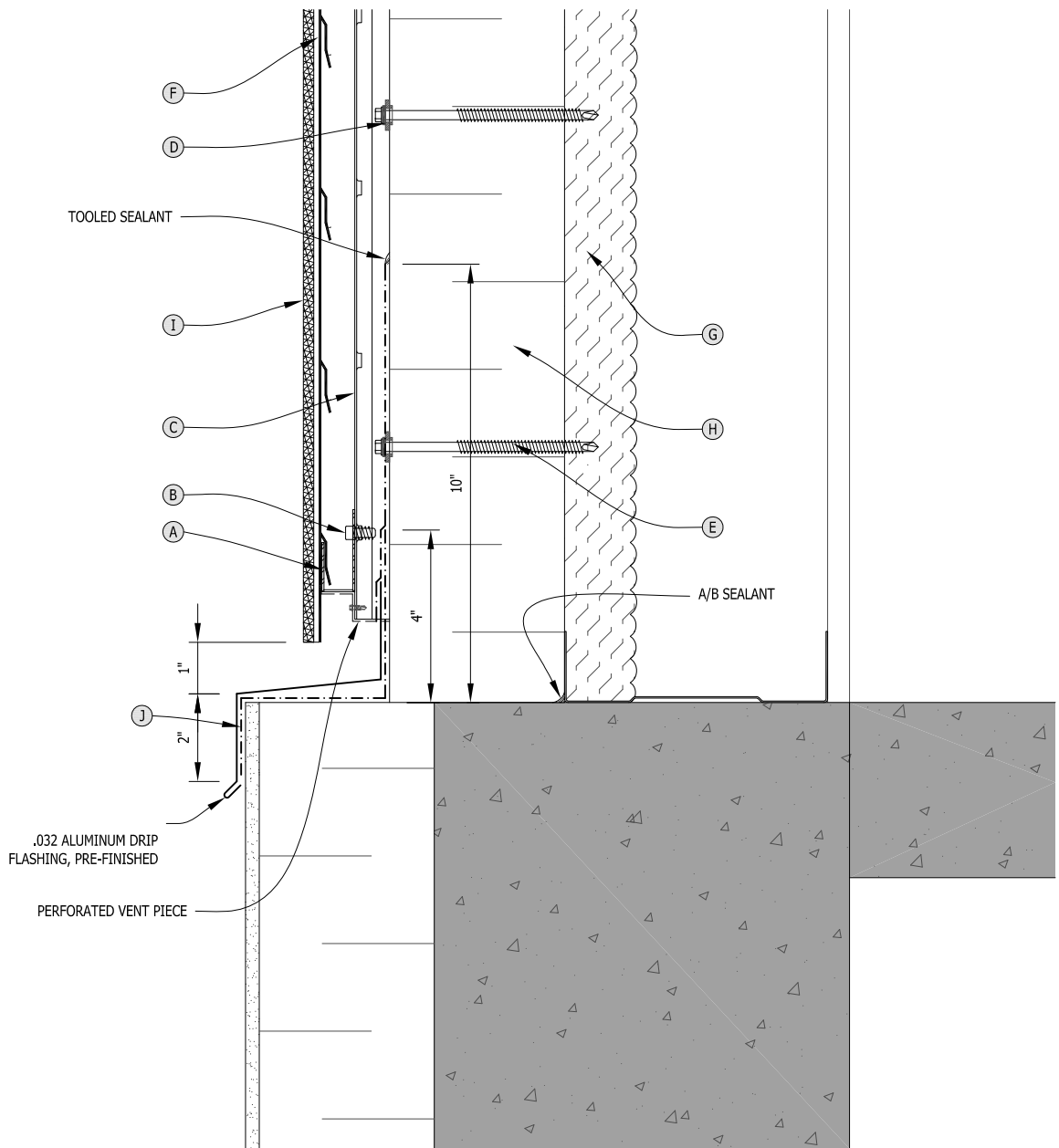
TYPICAL VERTICAL JOINT

Scale: 3" = 1'-0"

DATE: 03/31/11



**KNIGHT™ SERIES
 TILE PANELS
 THERMAX™ WALL SYSTEM
 GUIDE DETAIL**



NOTE:
 THESE GUIDE DETAILS ARE PROVIDED FOR INFORMATION ONLY.
 PROJECT SPECIFIC DESIGNS ARE AVAILABLE THAT ADDRESS
 STRUCTURAL ATTACHMENT, THERMAL PERFORMANCE AND
 WEATHERPROOFING. CONTACT KWS FOR FURTHER DETAILS.
 For multi-cladding transition details, or to download the CAD version
 of these details, please visit us online at
www.knightwallsystems.com
 © Knight Wall Systems
 Deer Park, WA - 509.262.0104
 PATENT PENDING

7

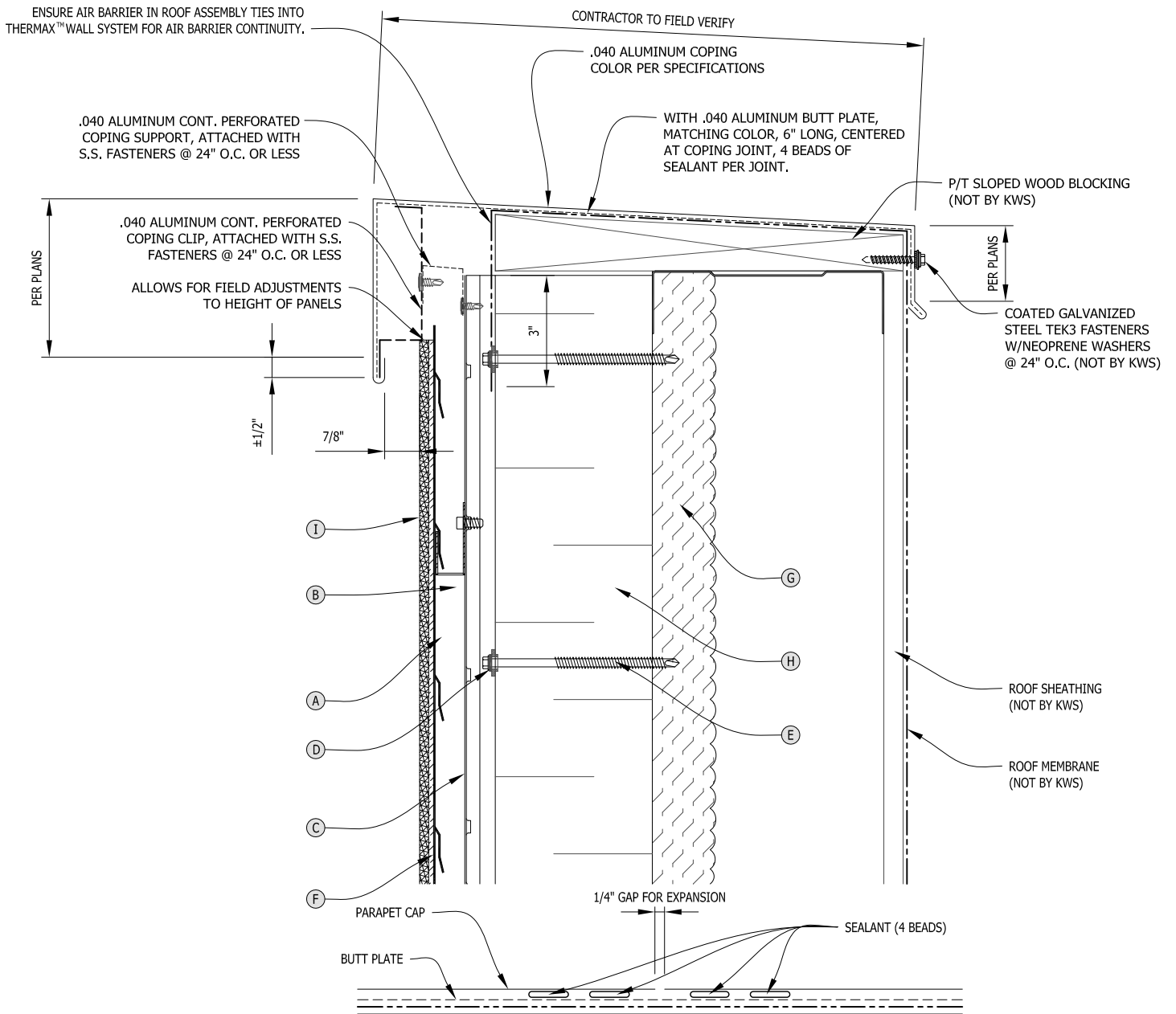
TYPICAL BASE OF WALL

Scale: 3" = 1'-0"

DATE: 03/31/11



**KNIGHT™ SERIES
 TILE PANELS
 THERMAX™ WALL SYSTEM
 GUIDE DETAIL**



8A SECTION AT BUTT PLATE
Scale: NTS

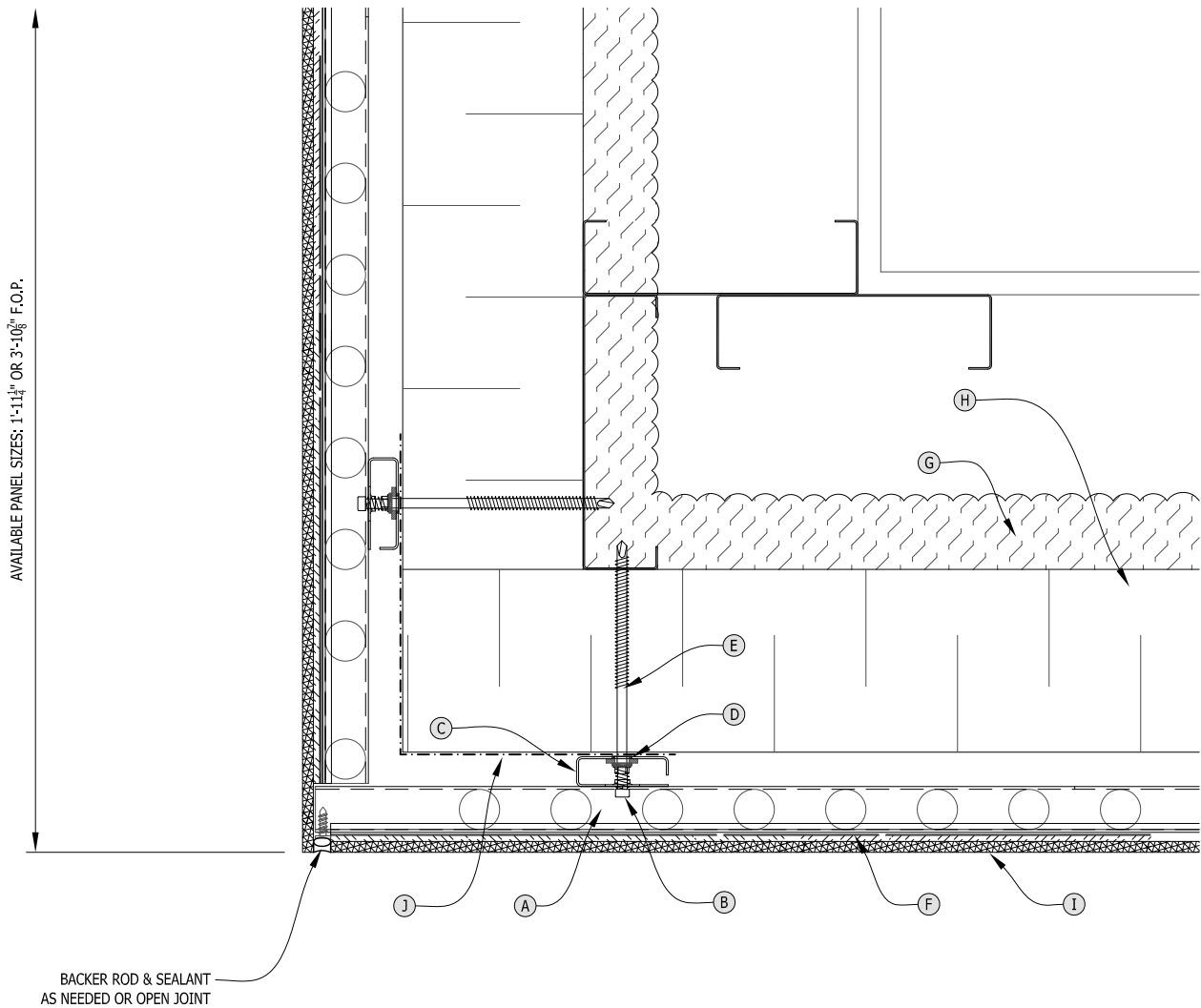
NOTE:
THESE GUIDE DETAILS ARE PROVIDED FOR INFORMATION ONLY.
PROJECT SPECIFIC DESIGNS ARE AVAILABLE THAT ADDRESS
STRUCTURAL ATTACHMENT, THERMAL PERFORMANCE AND
WEATHERPROOFING. CONTACT KWS FOR FURTHER DETAILS.
For multi-cladding transition details, or to download the CAD version
of these details, please visit us online at
www.knightwallsystems.com
© Knight Wall Systems
Deer Park, WA - 509.262.0104
PATENT PENDING

8 PARAPET COPING
Scale: 3" = 1'-0"

DATE: 03/31/11



**KNIGHT™ SERIES
TILE PANELS
THERMAX™ WALL SYSTEM
GUIDE DETAIL**



NOTE:
 THESE GUIDE DETAILS ARE PROVIDED FOR INFORMATION ONLY.
 PROJECT SPECIFIC DESIGNS ARE AVAILABLE THAT ADDRESS
 STRUCTURAL ATTACHMENT, THERMAL PERFORMANCE AND
 WEATHERPROOFING. CONTACT KWS FOR FURTHER DETAILS.
 For multi-cladding transition details, or to download the CAD version
 of these details, please visit us online at
www.knightwallsystems.com
 © Knight Wall Systems
 Deer Park, WA - 509.262.0104
 PATENT PENDING

9

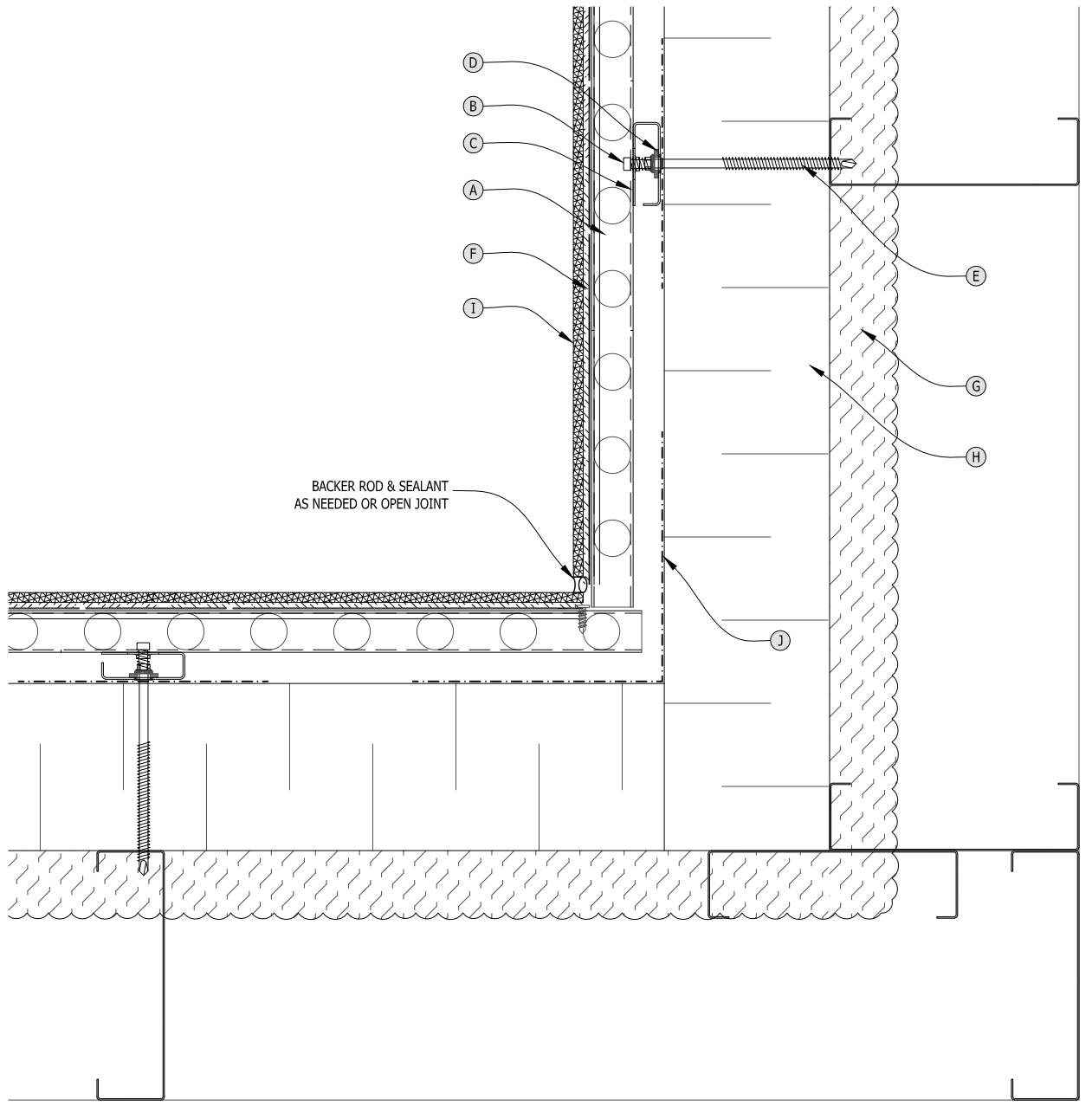
OUTSIDE CORNER

Scale: 3" = 1'-0"

DATE: 03/31/11



**KNIGHT™ SERIES
 TILE PANELS
 THERMAX™ WALL SYSTEM
 GUIDE DETAIL**



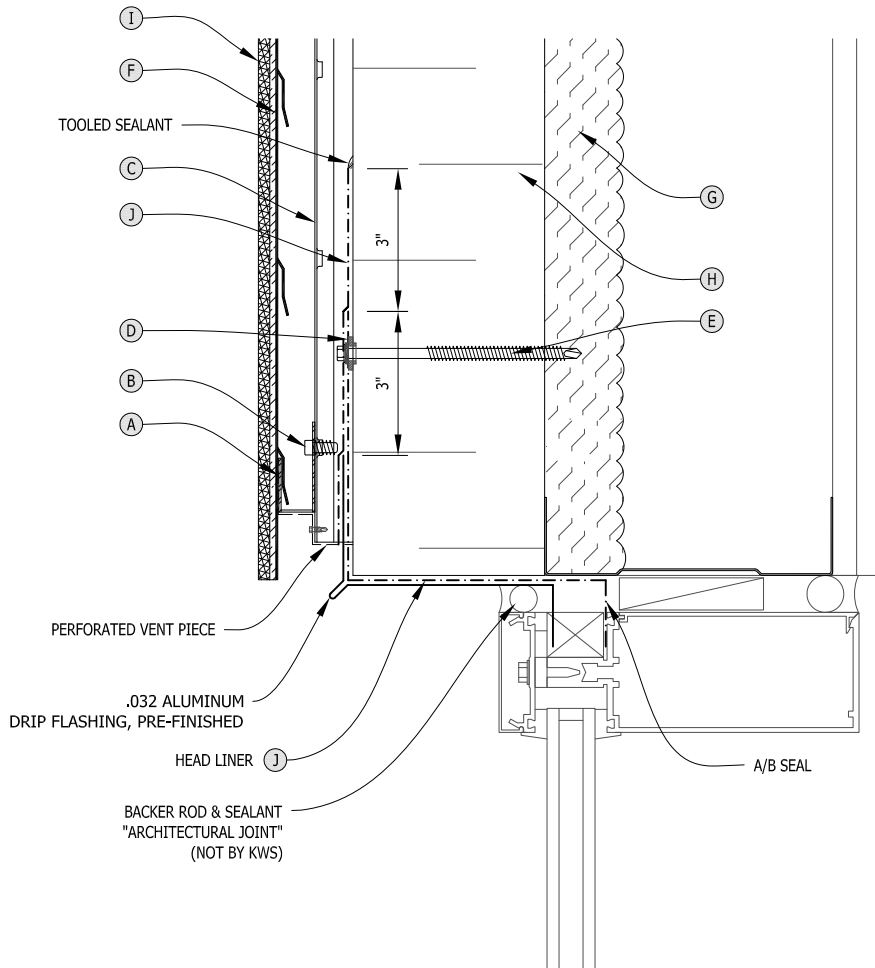
NOTE:
 THESE GUIDE DETAILS ARE PROVIDED FOR INFORMATION ONLY.
 PROJECT SPECIFIC DESIGNS ARE AVAILABLE THAT ADDRESS
 STRUCTURAL ATTACHMENT, THERMAL PERFORMANCE AND
 WEATHERPROOFING. CONTACT KWS FOR FURTHER DETAILS.
 For multi-cladding transition details, or to download the CAD version
 of these details, please visit us online at
www.knightwallsystems.com
 © Knight Wall Systems
 Deer Park, WA - 509.262.0104
 PATENT PENDING

10 INSIDE CORNER
 Scale: 3" = 1'-0"

DATE: 03/31/11



**KNIGHT™ SERIES
 TILE PANELS
 THERMAX™ WALL SYSTEM
 GUIDE DETAIL**



NOTE:
 THESE GUIDE DETAILS ARE PROVIDED FOR INFORMATION ONLY.
 PROJECT SPECIFIC DESIGNS ARE AVAILABLE THAT ADDRESS
 STRUCTURAL ATTACHMENT, THERMAL PERFORMANCE AND
 WEATHERPROOFING. CONTACT KWS FOR FURTHER DETAILS.
 For multi-cladding transition details, or to download the CAD version
 of these details, please visit us online at
www.knightwallsystems.com
 © Knight Wall Systems
 Deer Park, WA - 509.262.0104
 PATENT PENDING

11

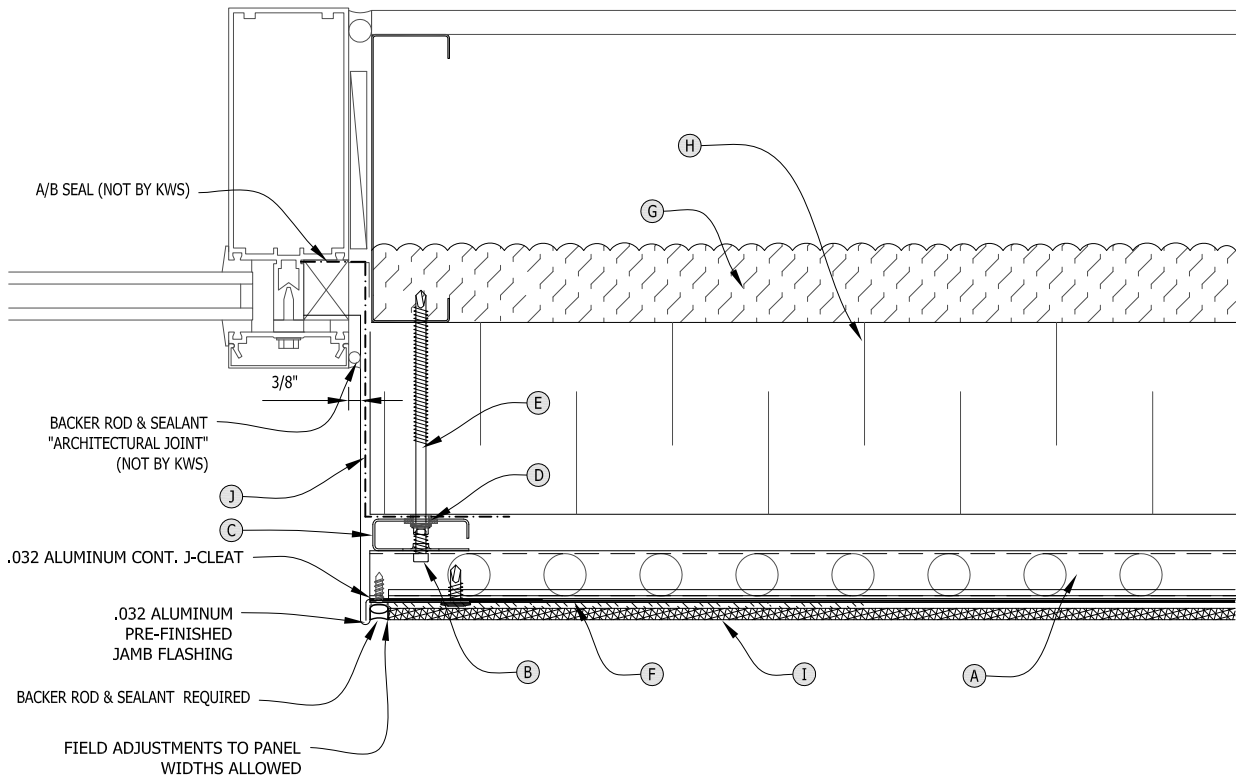
INSET WINDOW HEAD

Scale: 3" = 1'-0"

DATE: 03/31/11



KNIGHT™ SERIES
 TILE PANELS
 THERMAX™ WALL SYSTEM
 GUIDE DETAIL



12A ALTERNATE WINDOW JAMB

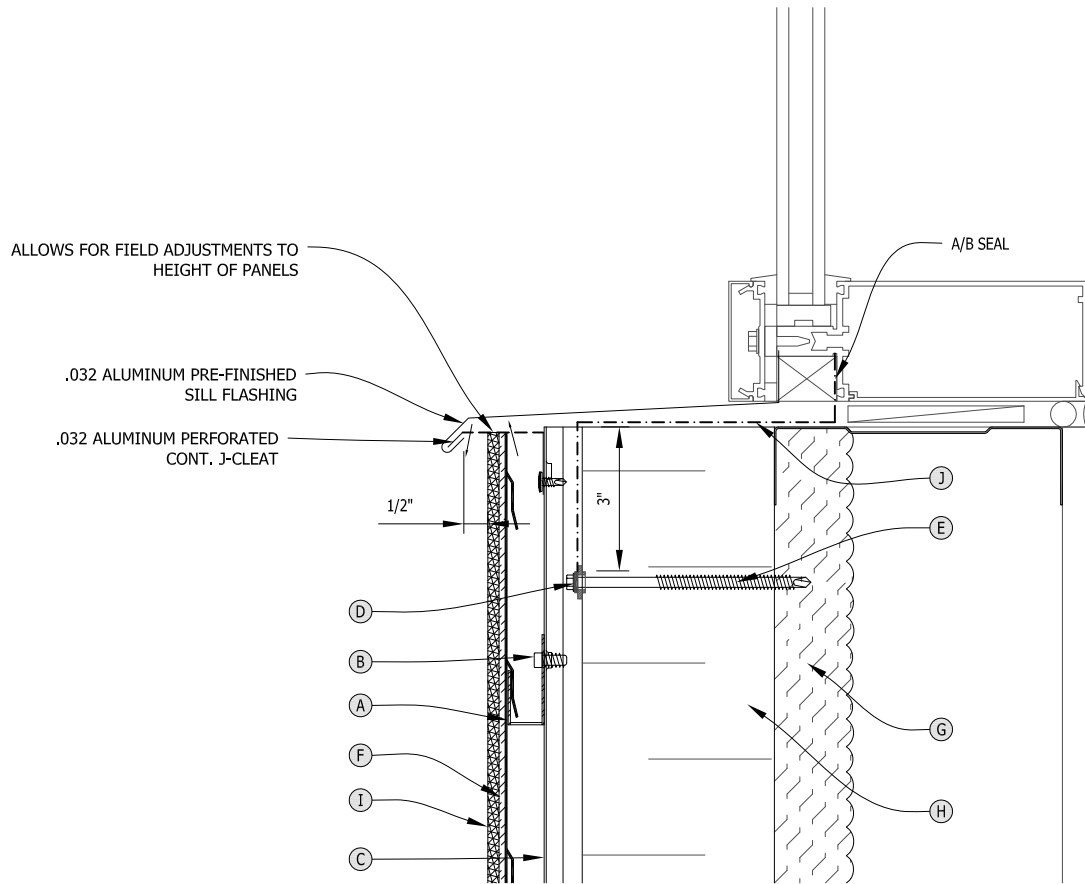
NOTE:
 THESE GUIDE DETAILS ARE PROVIDED FOR INFORMATION ONLY.
 PROJECT SPECIFIC DESIGNS ARE AVAILABLE THAT ADDRESS
 STRUCTURAL ATTACHMENT, THERMAL PERFORMANCE AND
 WEATHERPROOFING. CONTACT KWS FOR FURTHER DETAILS.
 For multi-cladding transition details, or to download the CAD version
 of these details, please visit us online at
www.knightwallsystems.com
 © Knight Wall Systems
 Deer Park, WA - 509.262.0104
 PATENT PENDING

12 INSET WINDOW JAMB
 Scale: 3" = 1'-0"

DATE: 03/31/11



KNIGHT™ SERIES
 TILE PANELS
 THERMAX™ WALL SYSTEM
 GUIDE DETAIL



NOTE:
 THESE GUIDE DETAILS ARE PROVIDED FOR INFORMATION ONLY.
 PROJECT SPECIFIC DESIGNS ARE AVAILABLE THAT ADDRESS
 STRUCTURAL ATTACHMENT, THERMAL PERFORMANCE AND
 WEATHERPROOFING. CONTACT KWS FOR FURTHER DETAILS.
 For multi-cladding transition details, or to download the CAD version
 of these details, please visit us online at
www.knightwallsystems.com
 © Knight Wall Systems
 Deer Park, WA - 509.262.0104
 PATENT PENDING

13

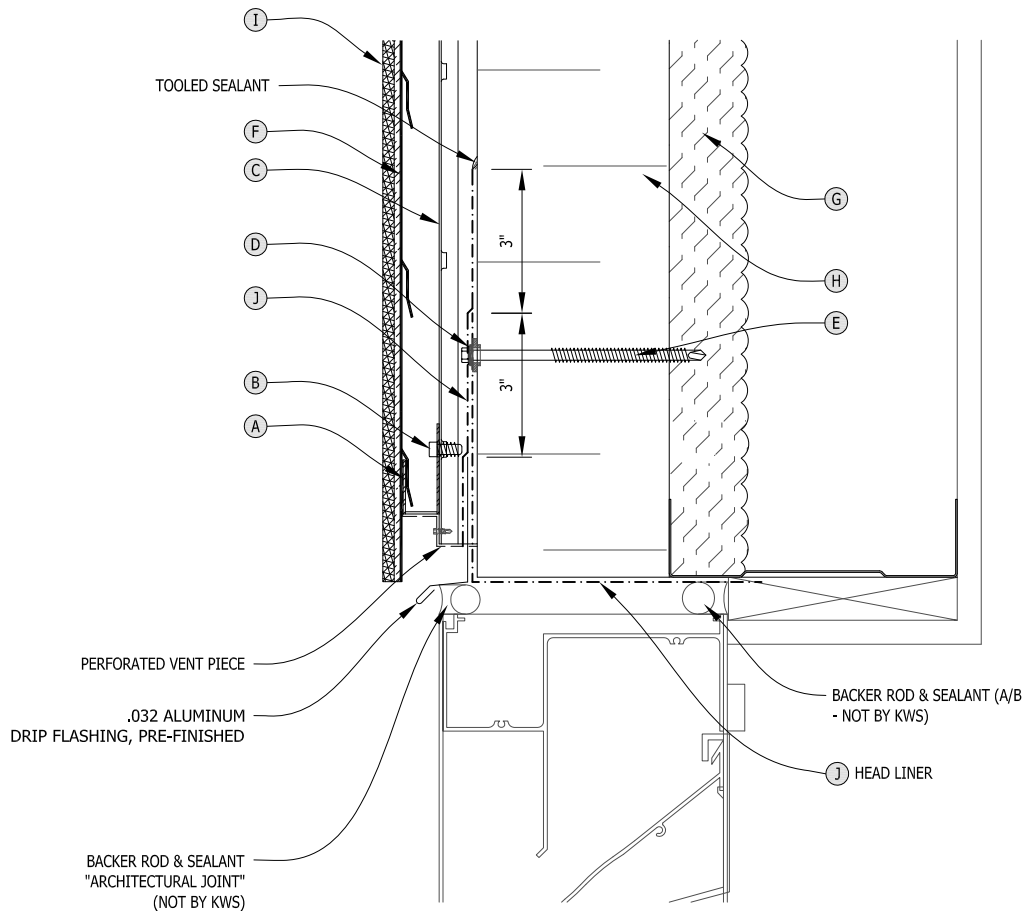
INSET WINDOW SILL

Scale: 3" = 1'-0"

DATE: 03/31/11



**KNIGHT™ SERIES
 TILE PANELS
 THERMAX™ WALL SYSTEM
 GUIDE DETAIL**



NOTE:
 THESE GUIDE DETAILS ARE PROVIDED FOR INFORMATION ONLY.
 PROJECT SPECIFIC DESIGNS ARE AVAILABLE THAT ADDRESS
 STRUCTURAL ATTACHMENT, THERMAL PERFORMANCE AND
 WEATHERPROOFING. CONTACT KWS FOR FURTHER DETAILS.
 For multi-cladding transition details, or to download the CAD version
 of these details, please visit us online at
www.knightwallsystems.com
 © Knight Wall Systems
 Deer Park, WA - 509.262.0104
 PATENT PENDING

14

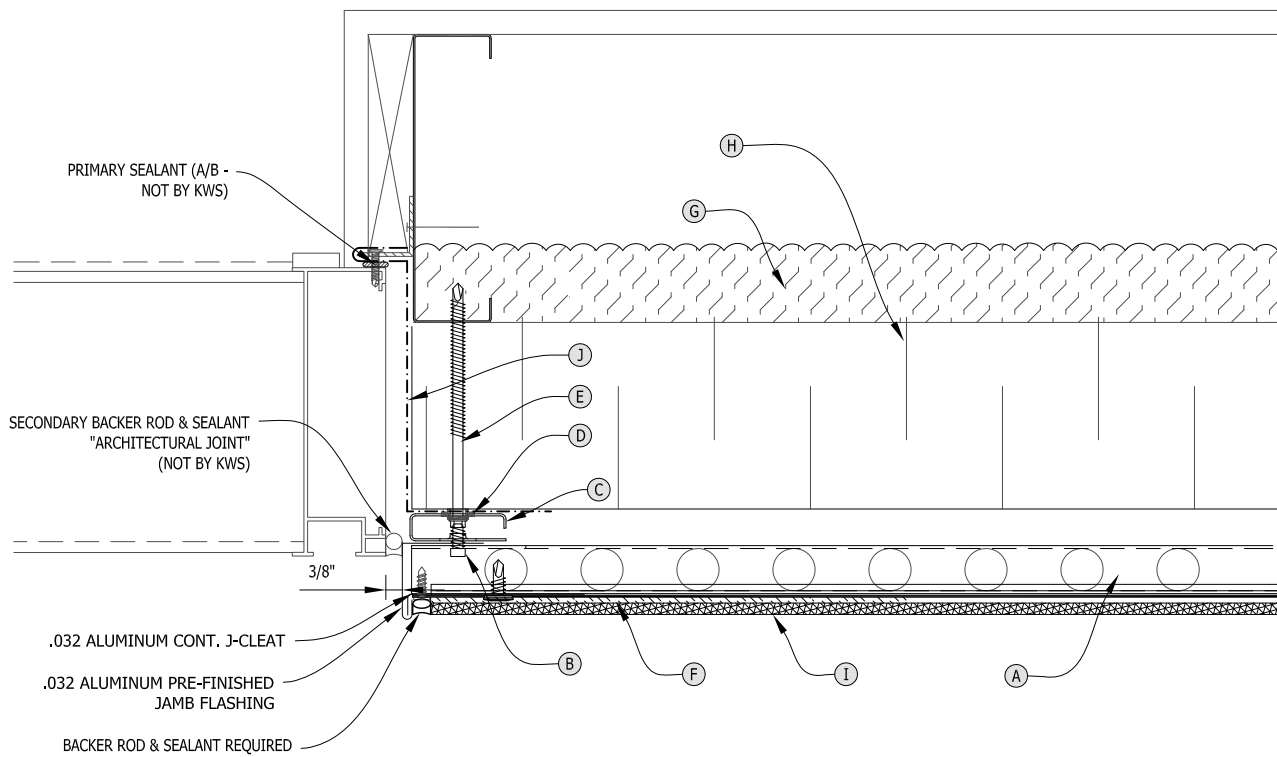
LOUVER HEAD

Scale: 3" = 1'-0"

DATE: 03/31/11



**KNIGHT™ SERIES
 TILE PANELS
 THERMAX™ WALL SYSTEM
 GUIDE DETAIL**



15A ALTERNATE LOUVER JAMB

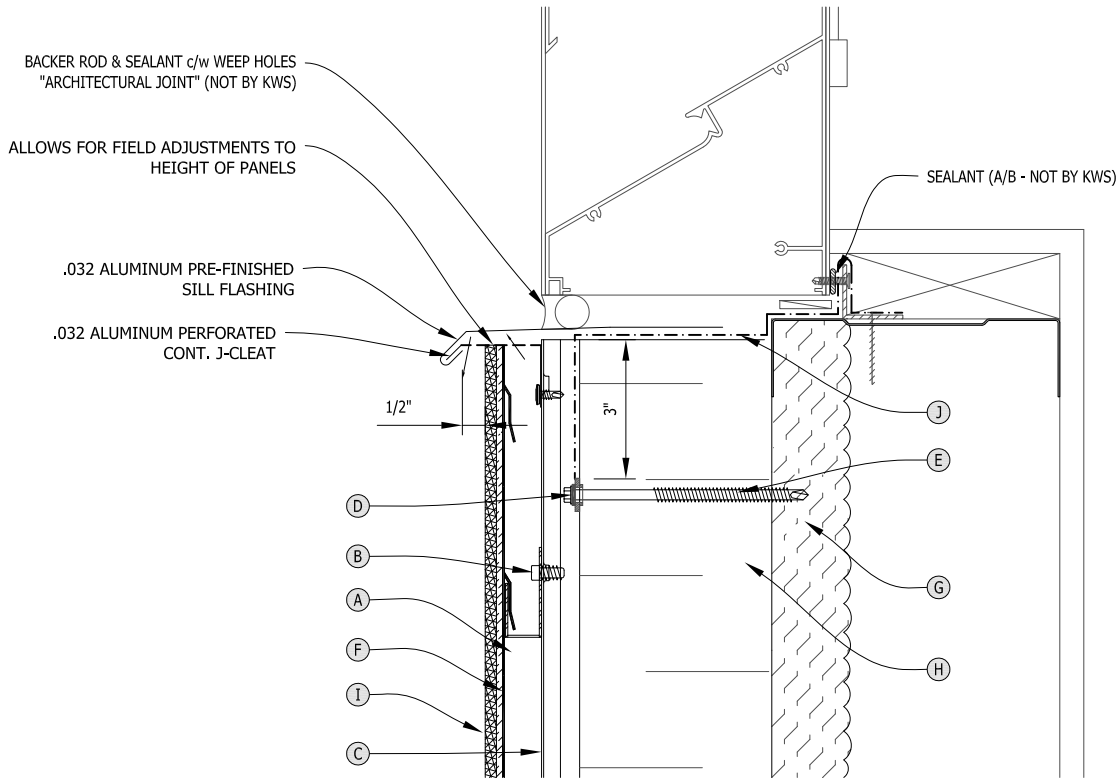
15 LOUVER JAMB RIGHT
Scale: 3" = 1'-0"

NOTE:
THESE GUIDE DETAILS ARE PROVIDED FOR INFORMATION ONLY.
PROJECT SPECIFIC DESIGNS ARE AVAILABLE THAT ADDRESS
STRUCTURAL ATTACHMENT, THERMAL PERFORMANCE AND
WEATHERPROOFING. CONTACT KWS FOR FURTHER DETAILS.
For multi-cladding transition details, or to download the CAD version
of these details, please visit us online at
www.knightwallsystems.com
© Knight Wall Systems
Deer Park, WA - 509.262.0104
PATENT PENDING

DATE: 03/31/11



KNIGHT™ SERIES
TILE PANELS
THERMAX™ WALL SYSTEM
GUIDE DETAIL



NOTE:
 THESE GUIDE DETAILS ARE PROVIDED FOR INFORMATION ONLY.
 PROJECT SPECIFIC DESIGNS ARE AVAILABLE THAT ADDRESS
 STRUCTURAL ATTACHMENT, THERMAL PERFORMANCE AND
 WEATHERPROOFING. CONTACT KWS FOR FURTHER DETAILS.
 For multi-cladding transition details, or to download the CAD version
 of these details, please visit us online at
www.knightwallsystems.com
 © Knight Wall Systems
 Deer Park, WA - 509.262.0104
 PATENT PENDING

16

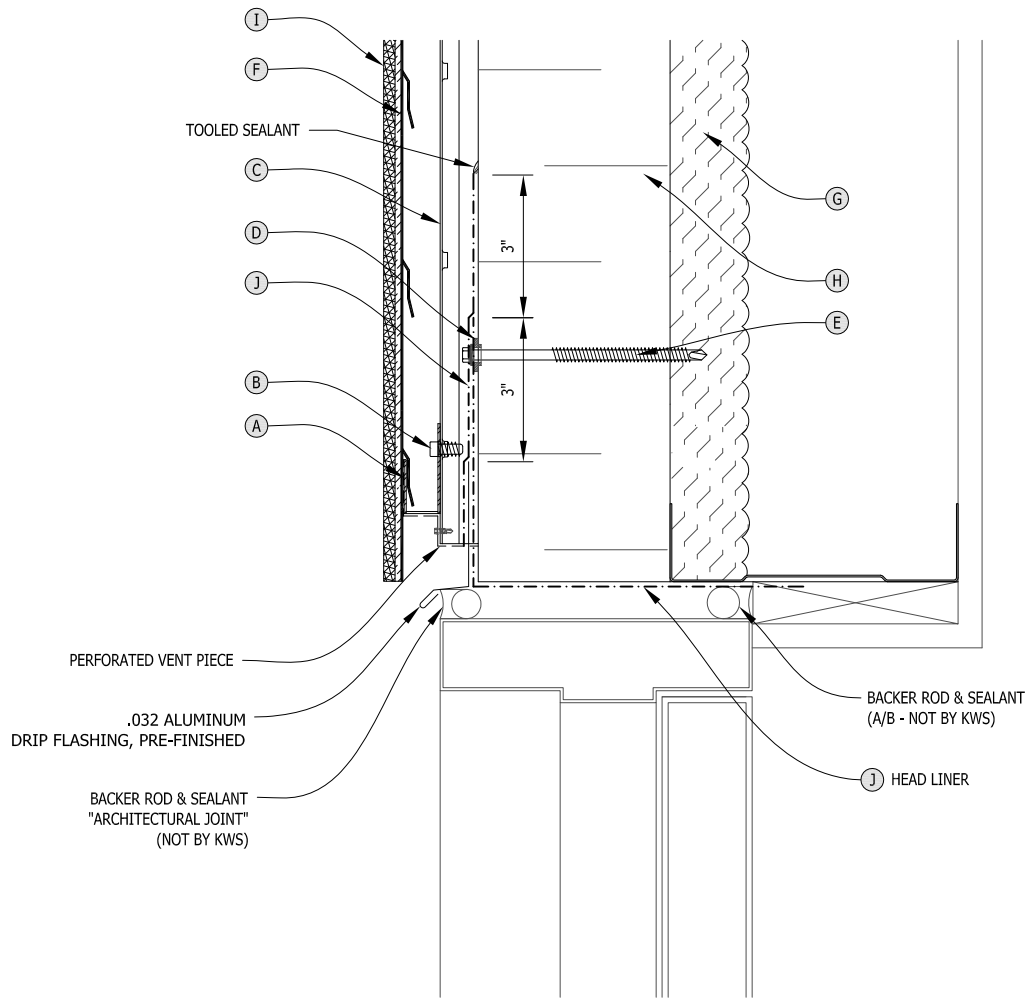
LOUVER SILL

Scale: 3" = 1'-0"

DATE: 03/31/11



**KNIGHT™ SERIES
 TILE PANELS
 THERMAX™ WALL SYSTEM
 GUIDE DETAIL**



NOTE:
 THESE GUIDE DETAILS ARE PROVIDED FOR INFORMATION ONLY.
 PROJECT SPECIFIC DESIGNS ARE AVAILABLE THAT ADDRESS
 STRUCTURAL ATTACHMENT, THERMAL PERFORMANCE AND
 WEATHERPROOFING. CONTACT KWS FOR FURTHER DETAILS.
 For multi-cladding transition details, or to download the CAD version
 of these details, please visit us online at
www.knightwallsystems.com
 © Knight Wall Systems
 Deer Park, WA - 509.262.0104
 PATENT PENDING

17

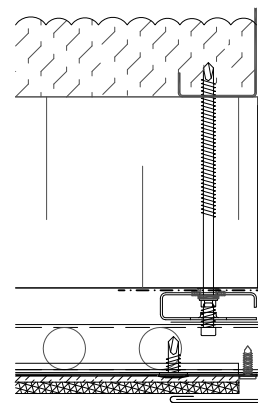
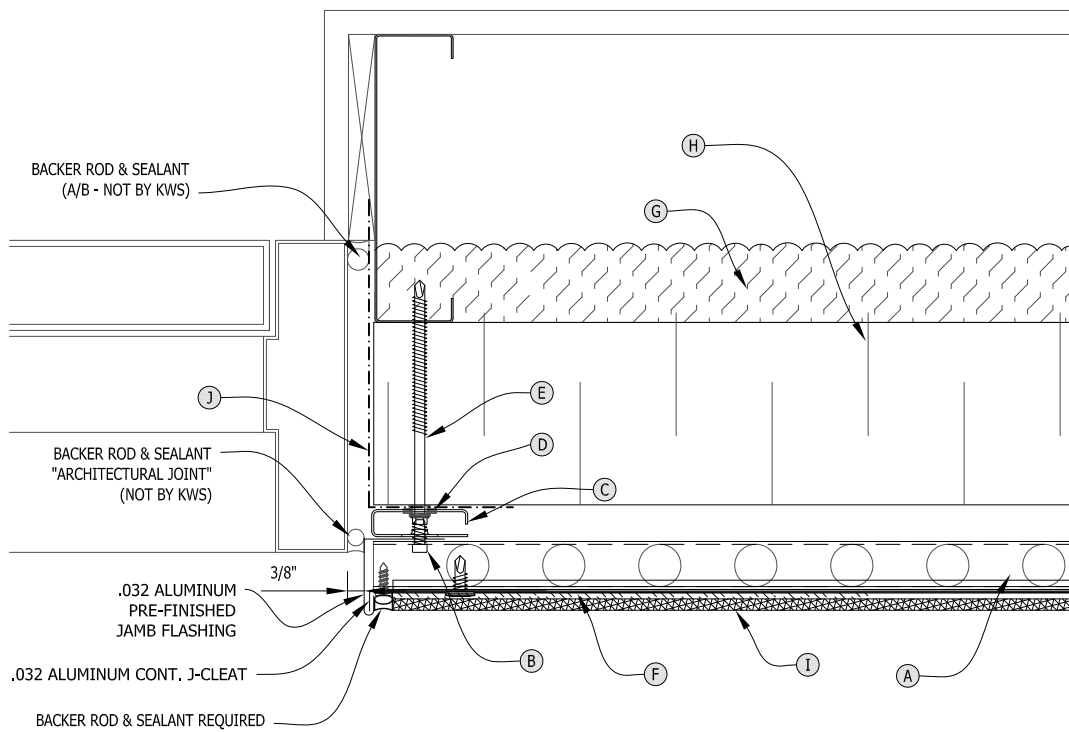
DOOR HEAD

Scale: 3" = 1'-0"

DATE: 03/31/11



KNIGHT™ SERIES
 TILE PANELS
 THERMAX™ WALL SYSTEM
 GUIDE DETAIL



18A ALTERNATE DOOR JAMB

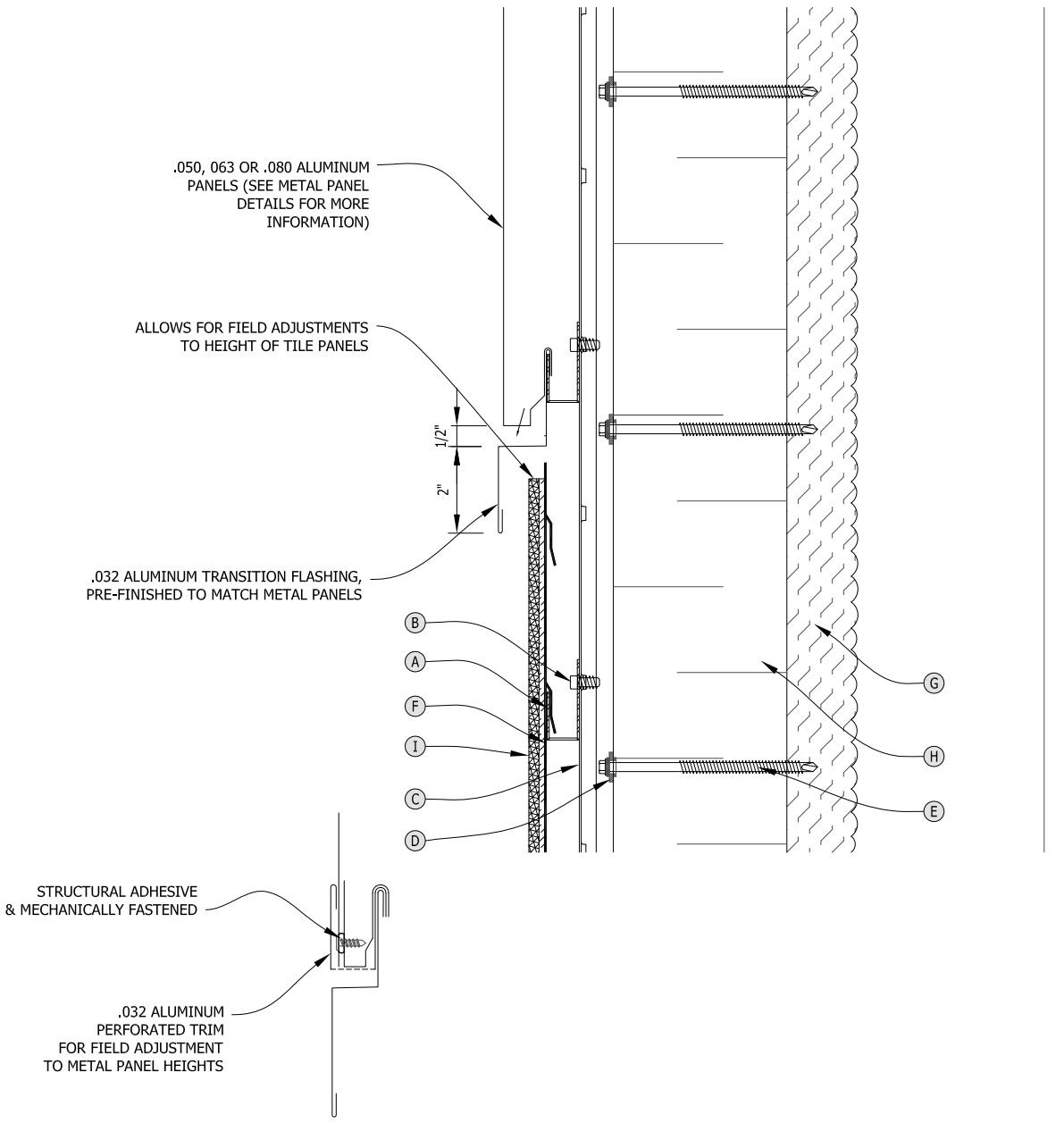
NOTE:
 THESE GUIDE DETAILS ARE PROVIDED FOR INFORMATION ONLY.
 PROJECT SPECIFIC DESIGNS ARE AVAILABLE THAT ADDRESS
 STRUCTURAL ATTACHMENT, THERMAL PERFORMANCE AND
 WEATHERPROOFING. CONTACT KWS FOR FURTHER DETAILS.
 For multi-cladding transition details, or to download the CAD version
 of these details, please visit us online at
www.knightwallsystems.com
 © Knight Wall Systems
 Deer Park, WA - 509.262.0104
 PATENT PENDING

18 DOOR JAMB RIGHT
 Scale: 3" = 1'-0"

DATE: 03/31/11



**KNIGHT™ SERIES
 TILE PANELS
 THERMAX™ WALL SYSTEM
 GUIDE DETAIL**



19A ALTERNATE PANEL BASE

NOTE:
 THESE GUIDE DETAILS ARE PROVIDED FOR INFORMATION ONLY.
 PROJECT SPECIFIC DESIGNS ARE AVAILABLE THAT ADDRESS
 STRUCTURAL ATTACHMENT, THERMAL PERFORMANCE AND
 WEATHERPROOFING. CONTACT KWS FOR FURTHER DETAILS.
 For multi-cladding transition details, or to download the CAD version
 of these details, please visit us online at
www.knightwallsystems.com
 © Knight Wall Systems
 Deer Park, WA - 509.262.0104
 PATENT PENDING

19 PANEL BASE
 Scale: 3" = 1'-0"

DATE: 03/31/11



**KNIGHT™ SERIES
 TILE PANELS
 THERMAX™ WALL SYSTEM
 GUIDE DETAIL**