

A RS-Rail - AXONOMETRIC
Scale: NTS

- TYPICAL SECTION VIEW
Scale: 3"=1'-0"

PARTS LIST:

- | | |
|--|--|
| <ul style="list-style-type: none"> (A) RS-Rail (B) STAINLESS STEEL CAP SCREW BY KWS (C) CI-Girt™ (D) THERMAL ISOLATOR AT EACH WALL FASTENER, TYP. (E) NO. 12 CORROSION RESISTANT FASTENER. STAINLESS STEEL FASTENER AVAILABLE WHICH PROVIDES SUPERIOR CORROSION RESISTANCE AND IMPROVED THERMAL PERFORMANCE. CONTACT KWS FOR MORE INFORMATION. | <ul style="list-style-type: none"> (F) BACKING ATTACHMENT FRAME STRUCTURALLY ADHERED & MECHANICALLY FASTENED TO KNIGHT™ SERIES THIN BRICK PANEL (G) DOW STYROFOAM™ SPRAY POLYURETHANE FOAM CM SERIES (H) DOW THERMAX™ (ci) (EXTERIOR INSULATION) (I) KNIGHT™ SERIES THIN BRICK PANEL (J) DOW WEATHERMATE™ STRAIGHT FLASHING (AT JOINTS IN DOW THERMAX™ & WINDOW DETAILS) |
|--|--|

NOTE:
THESE GUIDE DETAILS ARE PROVIDED FOR INFORMATION ONLY. PROJECT SPECIFIC DESIGNS ARE AVAILABLE THAT ADDRESS STRUCTURAL ATTACHMENT, THERMAL PERFORMANCE AND WEATHERPROOFING. CONTACT KWS FOR FURTHER DETAILS. For multi-cladding transition details, or to download the CAD version of these details, please visit us online at www.knightwallsystems.com
© Knight Wall Systems
Deer Park, WA - 509.262.0104
PATENT PENDING

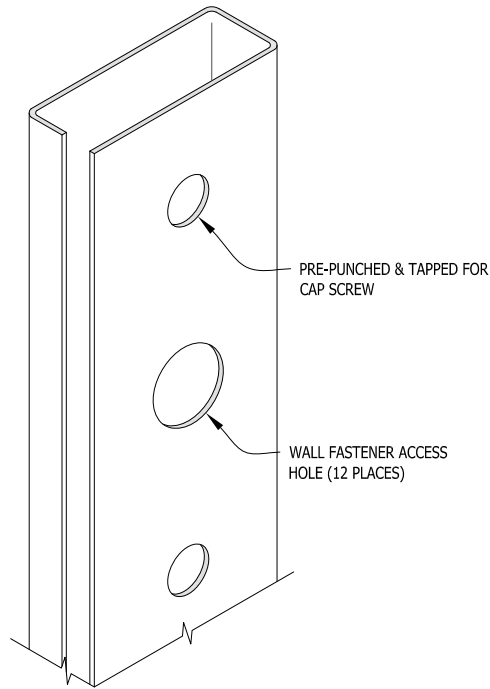
1 PARTS LIST - WALL SECTION

Scale: As Noted

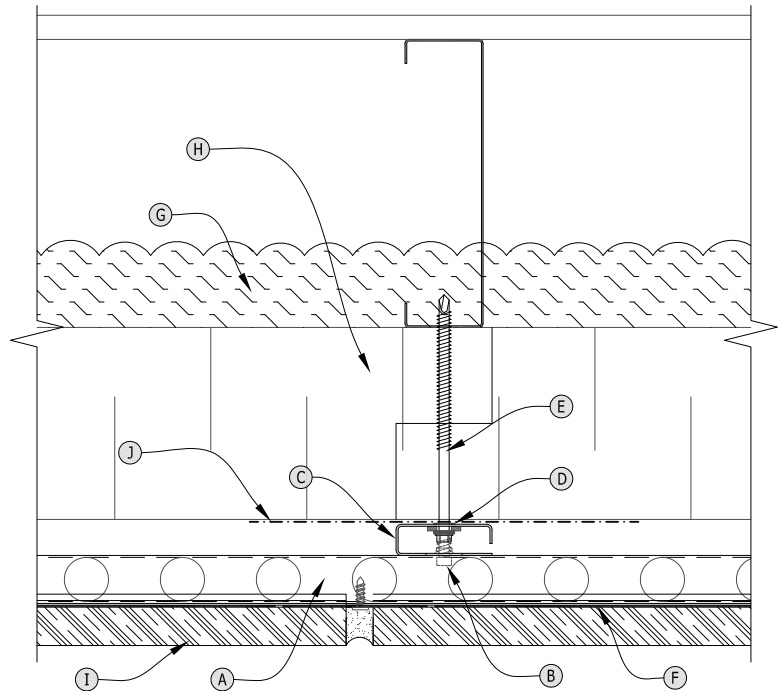
DATE: 03/31/11



**KNIGHT™ SERIES THIN BRICK
PANELS
THERMAX™ WALL SYSTEM
GUIDE DETAIL**



C CI Girt - AXONOMETRIC
Scale: NTS



- TYPICAL PLAN VIEW
Scale: 3"=1'-0"

PARTS LIST:

- | | |
|---|---|
| <p>(A) RS-Rail</p> <p>(B) STAINLESS STEEL CAP SCREW BY KWS</p> <p>(C) CI-Girt™</p> <p>(D) THERMAL ISOLATOR AT EACH WALL FASTENER, TYP.</p> <p>(E) NO. 12 CORROSION RESISTANT FASTENER. STAINLESS STEEL FASTENER AVAILABLE WHICH PROVIDES SUPERIOR CORROSION RESISTANCE AND IMPROVED THERMAL PERFORMANCE. CONTACT KWS FOR MORE INFORMATION.</p> | <p>(F) BACKING ATTACHMENT FRAME STRUCTURALLY ADHERED & MECHANICALLY FASTENED TO KNIGHT™ SERIES THIN BRICK PANEL</p> <p>(G) DOW STYROFOAM™ SPRAY POLYURETHANE FOAM CM SERIES</p> <p>(H) DOW THERMAX™ (ci) (EXTERIOR INSULATION)</p> <p>(I) KNIGHT™ SERIES THIN BRICK PANEL</p> <p>(J) DOW WEATHERMATE™ STRAIGHT FLASHING (AT JOINTS IN DOW THERMAX™ & WINDOW DETAILS)</p> |
|---|---|

NOTE:
THESE GUIDE DETAILS ARE PROVIDED FOR INFORMATION ONLY. PROJECT SPECIFIC DESIGNS ARE AVAILABLE THAT ADDRESS STRUCTURAL ATTACHMENT, THERMAL PERFORMANCE AND WEATHERPROOFING. CONTACT KWS FOR FURTHER DETAILS. For multi-cladding transition details, or to download the CAD version of these details, please visit us online at www.knightwallsystems.com
© Knight Wall Systems
Deer Park, WA - 509.262.0104
PATENT PENDING

2

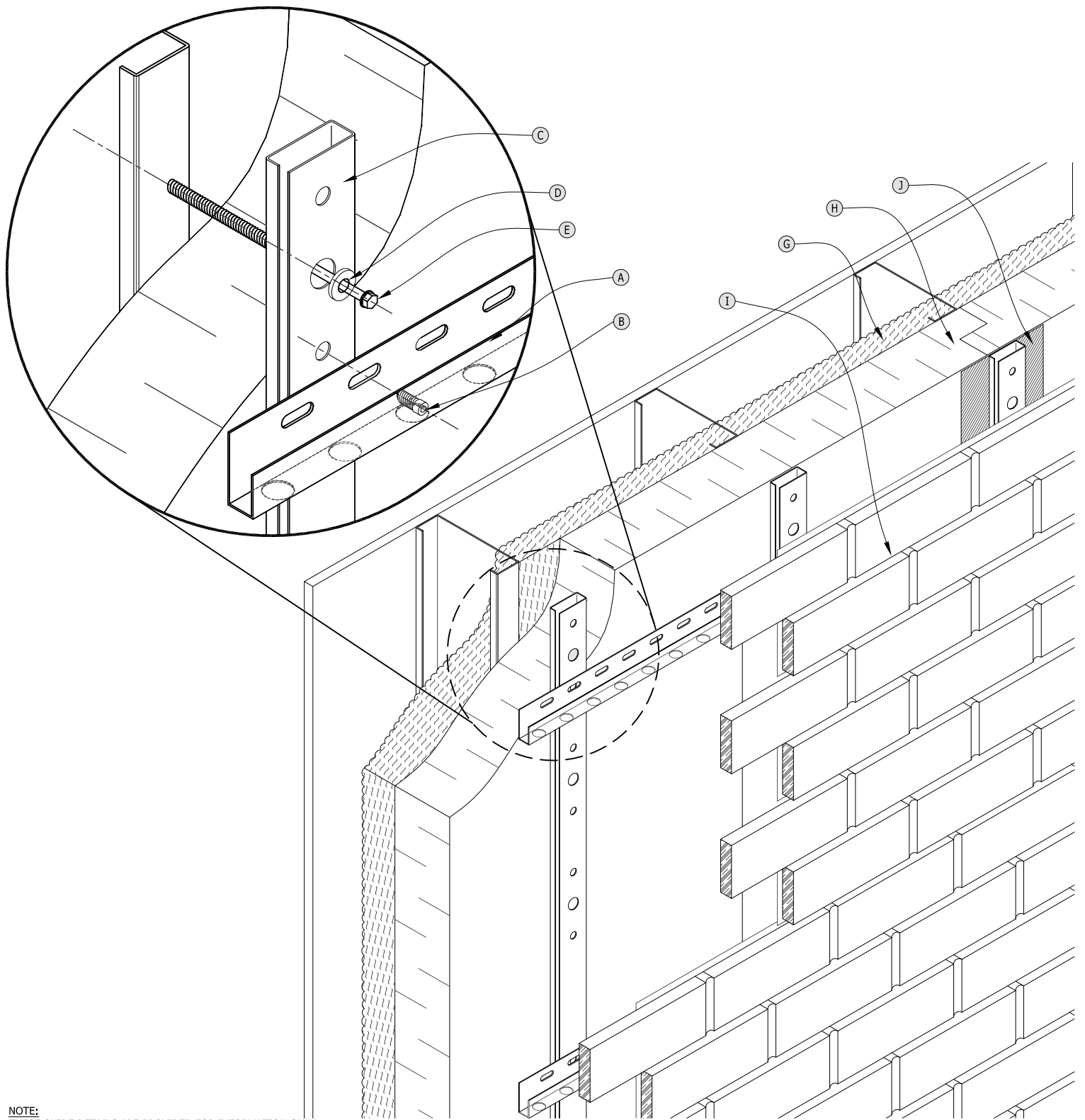
PARTS LIST - WALL PLAN

Scale: As Noted

DATE: 03/31/11



KNIGHT™ SERIES THIN BRICK
PANELS
THERMAX™ WALL SYSTEM
GUIDE DETAIL



NOTE:
 THESE GUIDE DETAILS ARE PROVIDED FOR INFORMATION ONLY.
 PROJECT SPECIFIC DESIGNS ARE AVAILABLE THAT ADDRESS
 STRUCTURAL ATTACHMENT, THERMAL PERFORMANCE AND
 WEATHERPROOFING. CONTACT KWS FOR FURTHER DETAILS.
 For multi-cladding transition details, or to download the CAD version
 of these details, please visit us online at
www.knightwallsystems.com
 © Knight Wall Systems
 Deer Park, WA - 509.262.0104
 PATENT PENDING

3

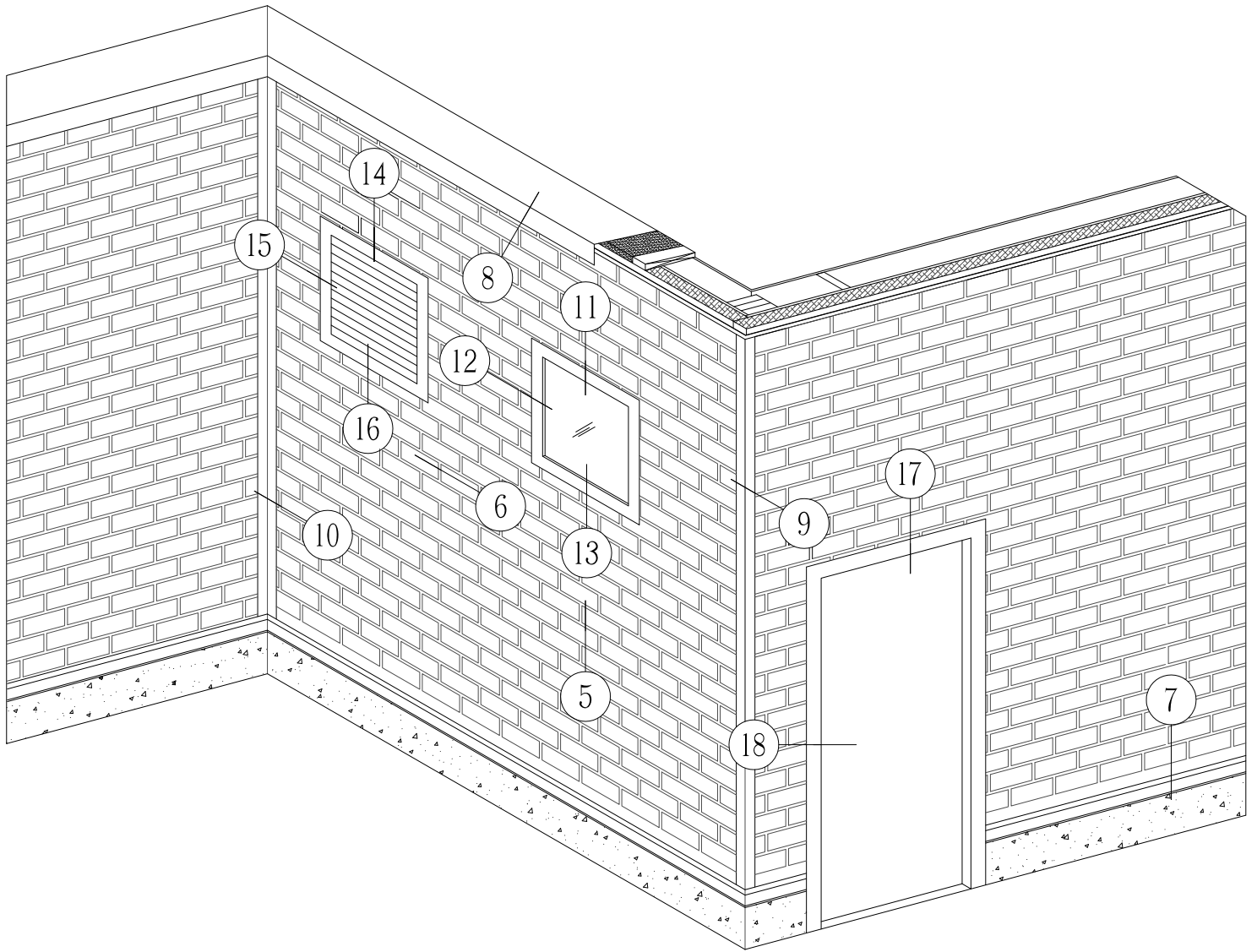
WALL - AXONOMETRIC

Scale: NTS

DATE: 03/31/11



KNIGHT™ SERIES THIN BRICK
 PANELS
 THERMAX™ WALL SYSTEM
 GUIDE DETAIL



NOTE:
 THESE GUIDE DETAILS ARE PROVIDED FOR INFORMATION ONLY.
 PROJECT SPECIFIC DESIGNS ARE AVAILABLE THAT ADDRESS
 STRUCTURAL ATTACHMENT, THERMAL PERFORMANCE AND
 WEATHERPROOFING. CONTACT KWS FOR FURTHER DETAILS.
 For multi-cladding transition details, or to download the CAD version
 of these details, please visit us online at
www.knightwallsystems.com
 © Knight Wall Systems
 Deer Park, WA - 509.262.0104
 PATENT PENDING

4

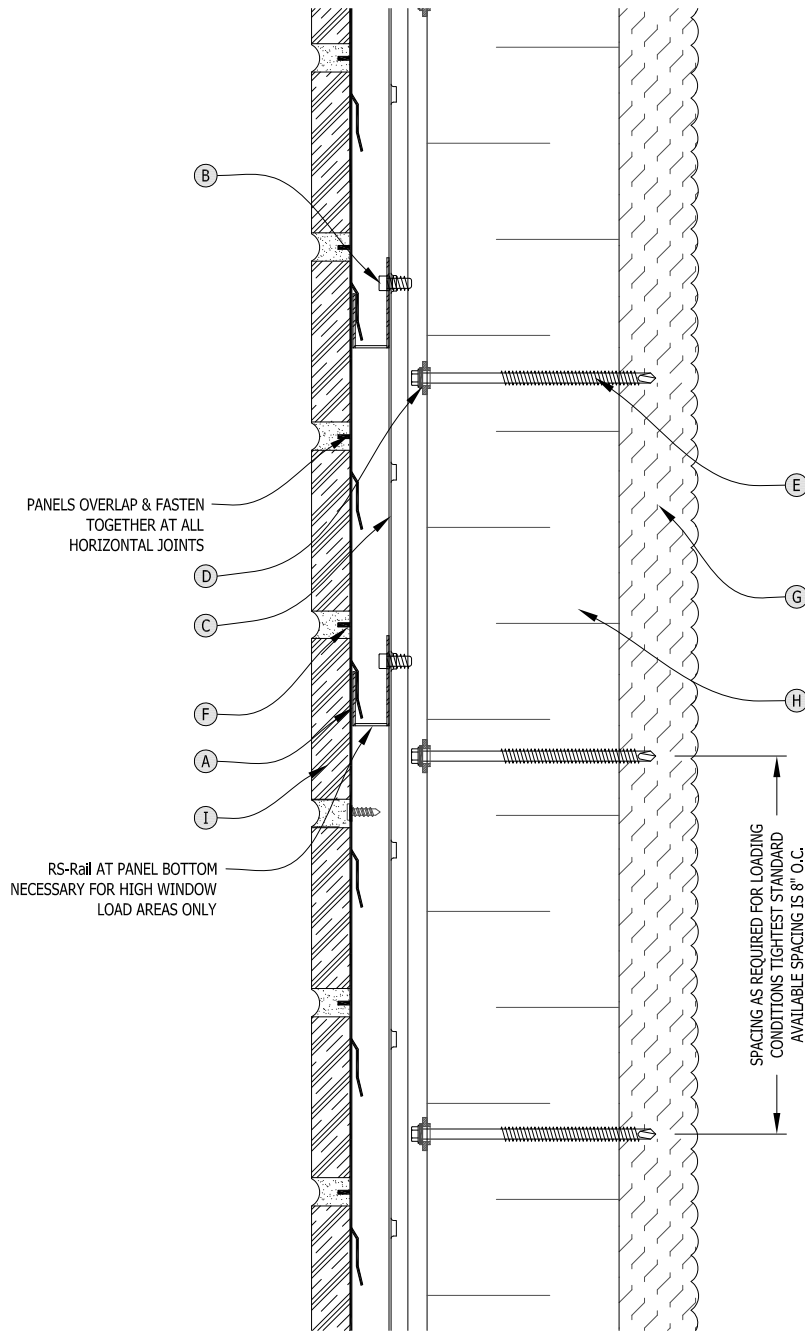
DETAIL REFERENCES

Scale: NTS

DATE: 03/31/11



**KNIGHT™ SERIES THIN BRICK
 PANELS
 THERMAX™ WALL SYSTEM
 GUIDE DETAIL**



NOTE:
 THESE GUIDE DETAILS ARE PROVIDED FOR INFORMATION ONLY.
 PROJECT SPECIFIC DESIGNS ARE AVAILABLE THAT ADDRESS
 STRUCTURAL ATTACHMENT, THERMAL PERFORMANCE AND
 WEATHERPROOFING. CONTACT KWS FOR FURTHER DETAILS.
 For multi-cladding transition details, or to download the CAD version
 of these details, please visit us online at
www.knightwallsystems.com
 © Knight Wall Systems
 Deer Park, WA - 509.262.0104
 PATENT PENDING

5

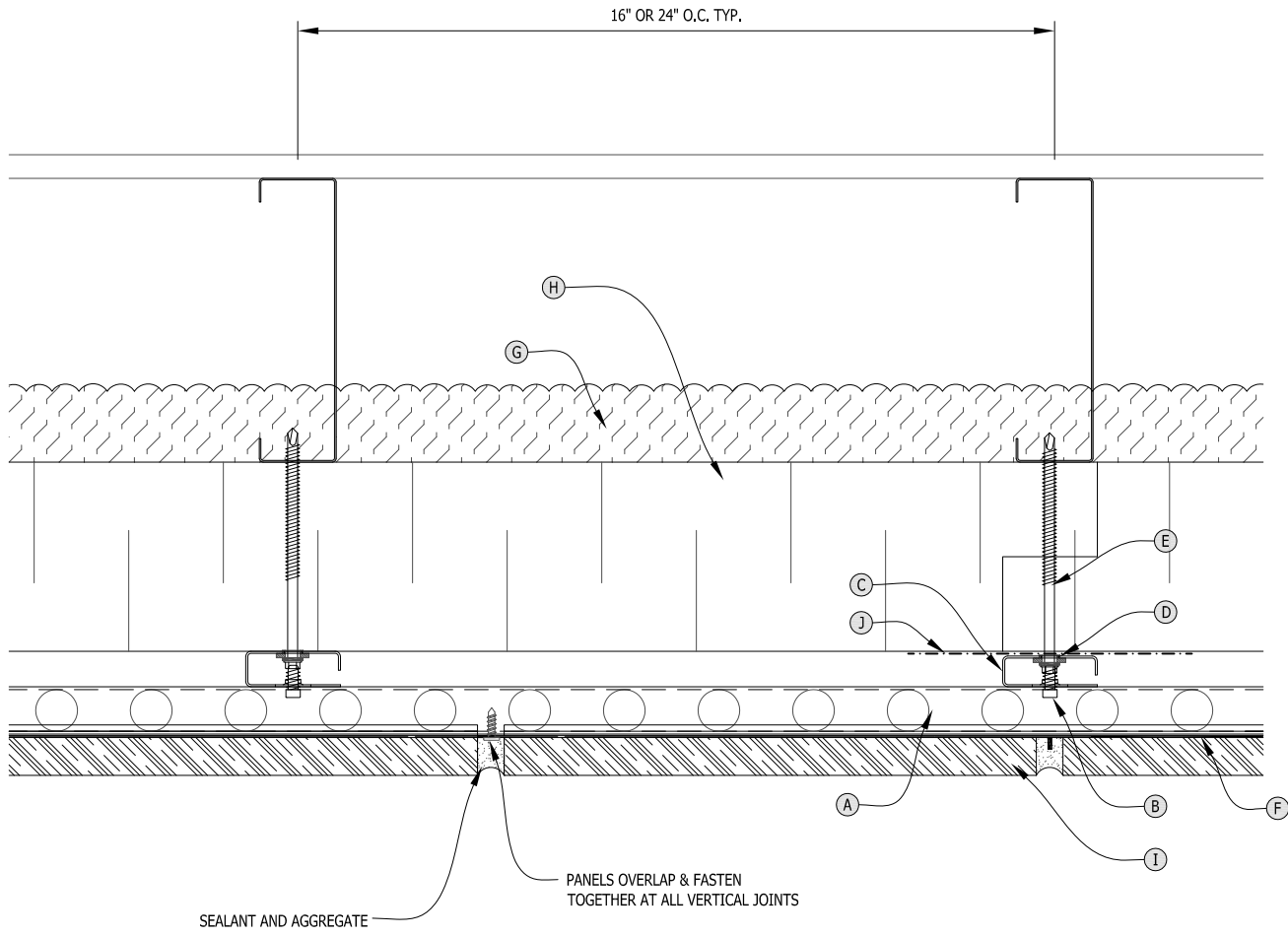
TYPICAL HORIZONTAL JOINT

Scale: 3" = 1'-0"

DATE: 03/31/11



**KNIGHT™ SERIES THIN BRICK
 PANELS
 THERMAX™ WALL SYSTEM
 GUIDE DETAIL**



SEALANT AND AGGREGATE

PANELS OVERLAP & FASTEN TOGETHER AT ALL VERTICAL JOINTS

NOTE:
 THESE GUIDE DETAILS ARE PROVIDED FOR INFORMATION ONLY.
 PROJECT SPECIFIC DESIGNS ARE AVAILABLE THAT ADDRESS
 STRUCTURAL ATTACHMENT, THERMAL PERFORMANCE AND
 WEATHERPROOFING. CONTACT KWS FOR FURTHER DETAILS.
 For multi-cladding transition details, or to download the CAD version
 of these details, please visit us online at
www.knightwallsystems.com
 © Knight Wall Systems
 Deer Park, WA - 509.262.0104
 PATENT PENDING

6

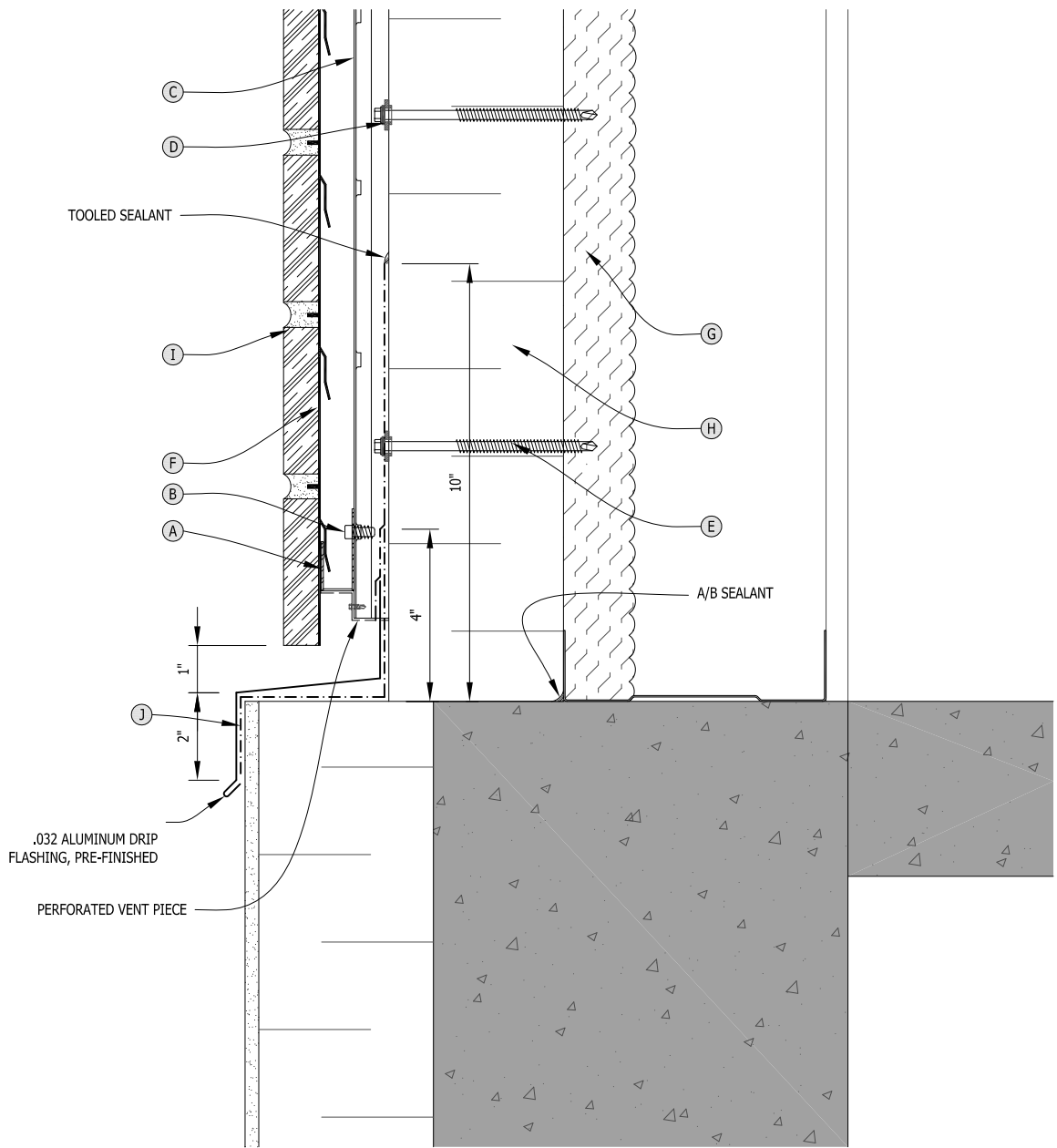
TYPICAL VERTICAL JOINT

Scale: 3" = 1'-0"

DATE: 03/31/11



**KNIGHT™ SERIES THIN BRICK
 PANELS
 THERMAX™ WALL SYSTEM
 GUIDE DETAIL**



NOTE:
 THESE GUIDE DETAILS ARE PROVIDED FOR INFORMATION ONLY.
 PROJECT SPECIFIC DESIGNS ARE AVAILABLE THAT ADDRESS
 STRUCTURAL ATTACHMENT, THERMAL PERFORMANCE AND
 WEATHERPROOFING. CONTACT KWS FOR FURTHER DETAILS.
 For multi-cladding transition details, or to download the CAD version
 of these details, please visit us online at
www.knightwallsystems.com
 © Knight Wall Systems
 Deer Park, WA - 509.262.0104
 PATENT PENDING

7

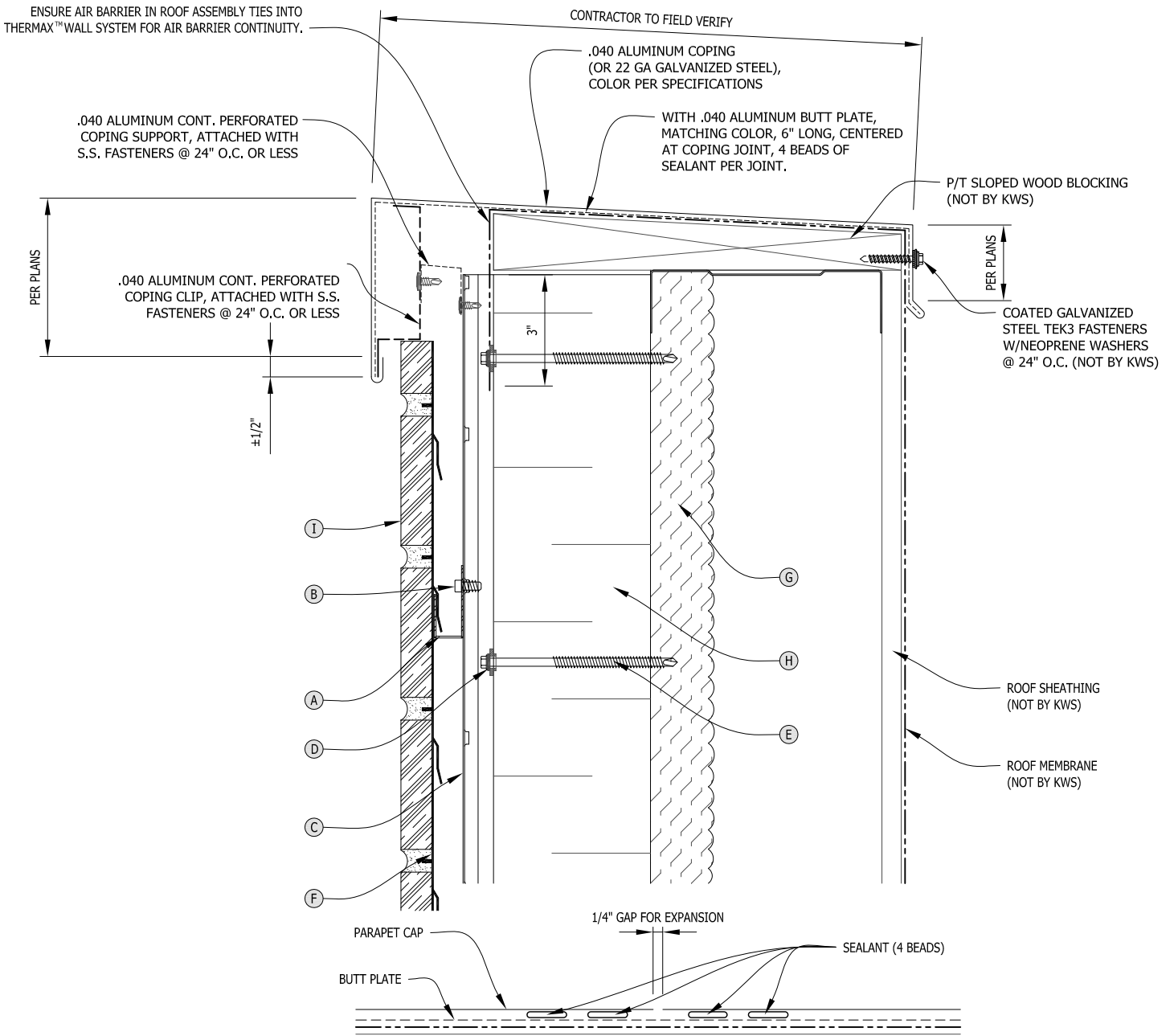
TYPICAL BASE OF WALL

Scale: 3" = 1'-0"

DATE: 03/31/11



**KNIGHT™ SERIES THIN BRICK
 PANELS
 THERMAX™ WALL SYSTEM
 GUIDE DETAIL**



8A SECTION AT BUTT PLATE
Scale: NTS

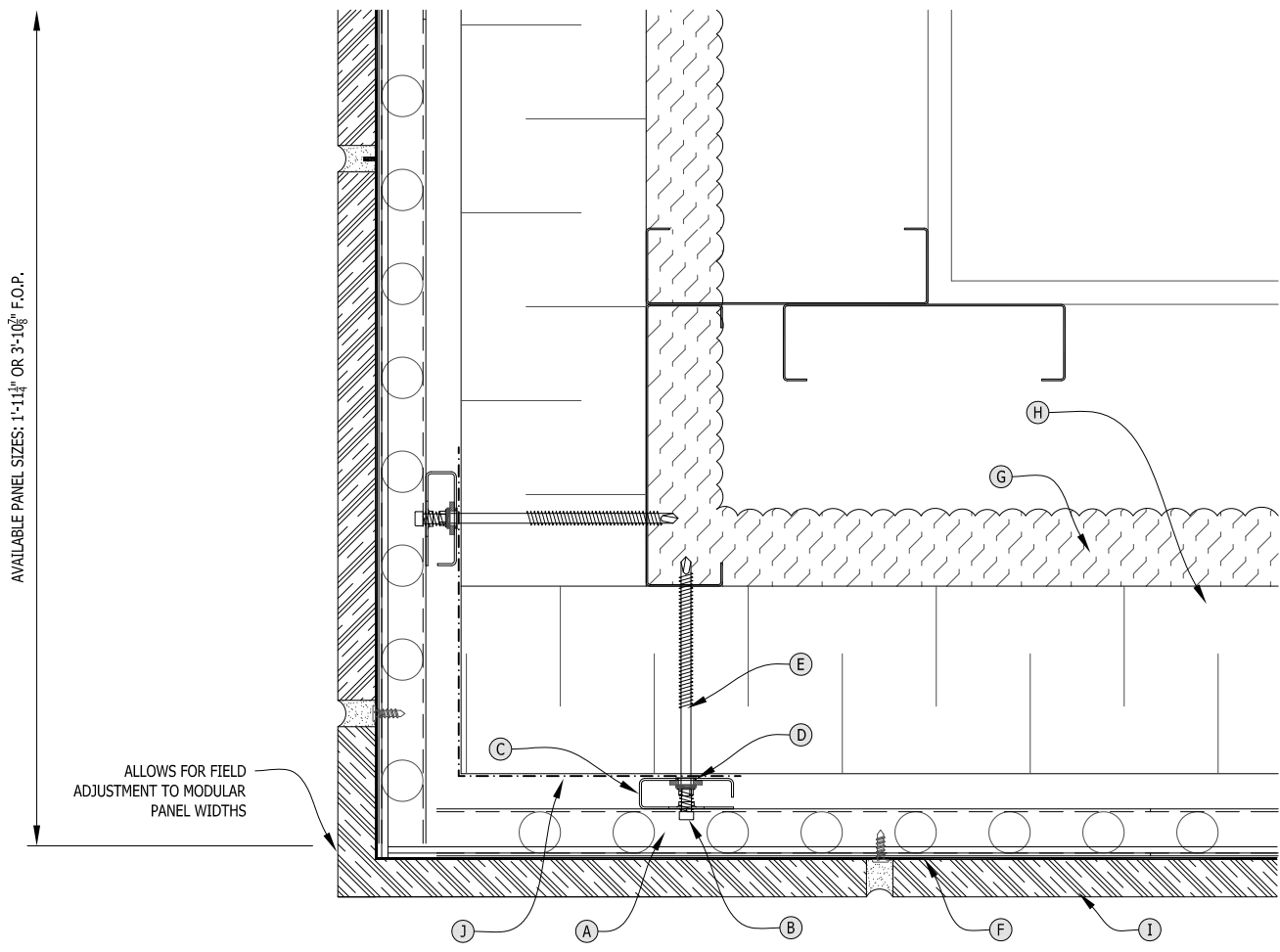
NOTE:
THESE GUIDE DETAILS ARE PROVIDED FOR INFORMATION ONLY. PROJECT SPECIFIC DESIGNS ARE AVAILABLE THAT ADDRESS STRUCTURAL ATTACHMENT, THERMAL PERFORMANCE AND WEATHERPROOFING. CONTACT KWS FOR FURTHER DETAILS. For multi-cladding transition details, or to download the CAD version of these details, please visit us online at www.knightwallsystems.com
© Knight Wall Systems
Deer Park, WA - 509.262.0104
PATENT PENDING

8 PARAPET COPING
Scale: 3" = 1'-0"

DATE: 03/31/11



KNIGHT™ SERIES THIN BRICK PANELS
THERMAX™ WALL SYSTEM
GUIDE DETAIL



ALLOWS FOR FIELD
ADJUSTMENT TO MODULAR
PANEL WIDTHS

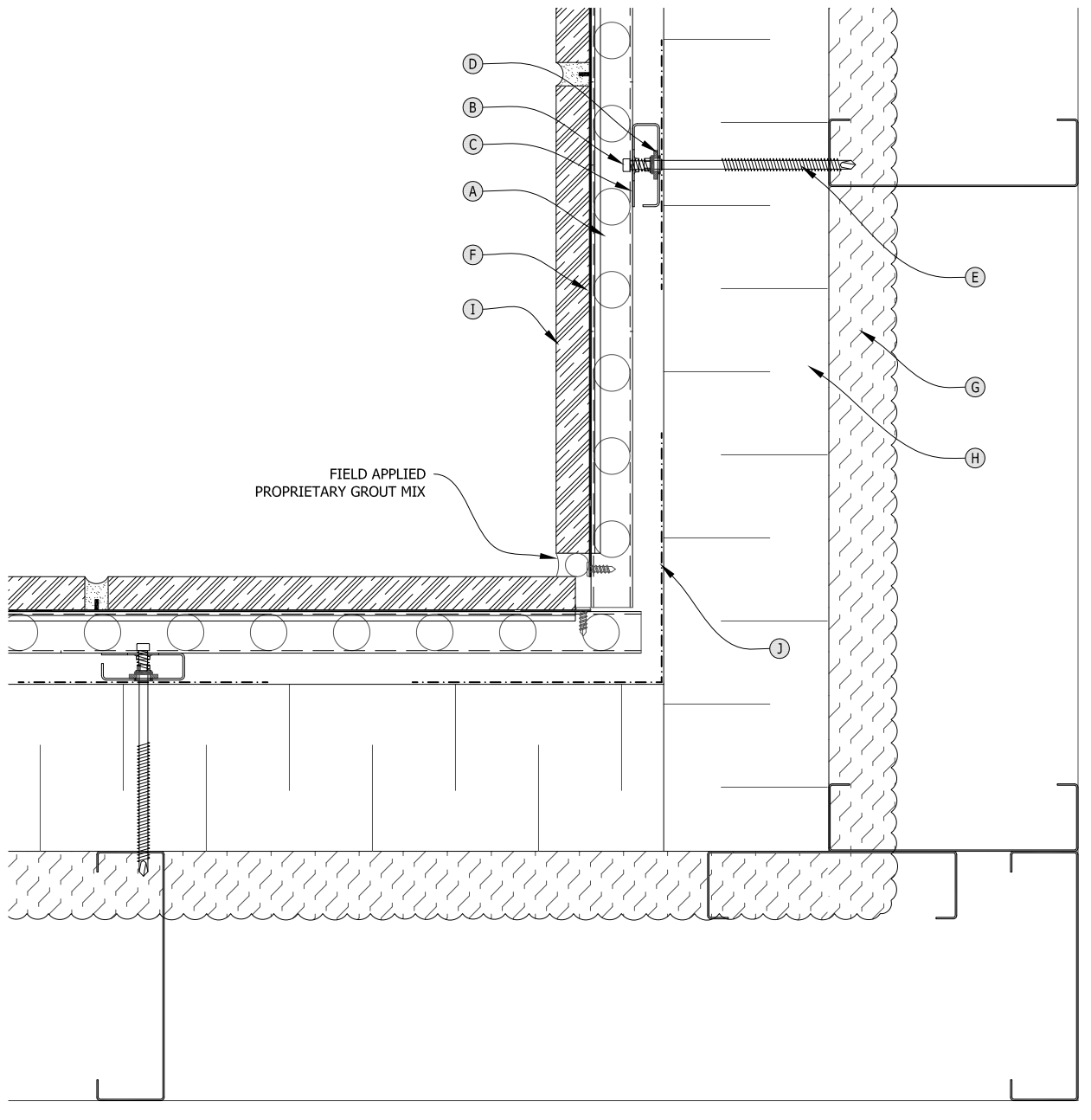
NOTE:
THESE GUIDE DETAILS ARE PROVIDED FOR INFORMATION ONLY.
PROJECT SPECIFIC DESIGNS ARE AVAILABLE THAT ADDRESS
STRUCTURAL ATTACHMENT, THERMAL PERFORMANCE AND
WEATHERPROOFING. CONTACT KWS FOR FURTHER DETAILS.
For multi-cladding transition details, or to download the CAD version
of these details, please visit us online at
www.knightwallsystems.com
© Knight Wall Systems
Deer Park, WA - 509.262.0104
PATENT PENDING

9 OUTSIDE CORNER
Scale: 3" = 1'-0"

DATE: 03/31/11



**KNIGHT™ SERIES THIN BRICK
PANELS
THERMAX™ WALL SYSTEM
GUIDE DETAIL**



NOTE:
 THESE GUIDE DETAILS ARE PROVIDED FOR INFORMATION ONLY.
 PROJECT SPECIFIC DESIGNS ARE AVAILABLE THAT ADDRESS
 STRUCTURAL ATTACHMENT, THERMAL PERFORMANCE AND
 WEATHERPROOFING. CONTACT KWS FOR FURTHER DETAILS.
 For multi-cladding transition details, or to download the CAD version
 of these details, please visit us online at
www.knightwallsystems.com
 © Knight Wall Systems
 Deer Park, WA - 509.262.0104
 PATENT PENDING

10

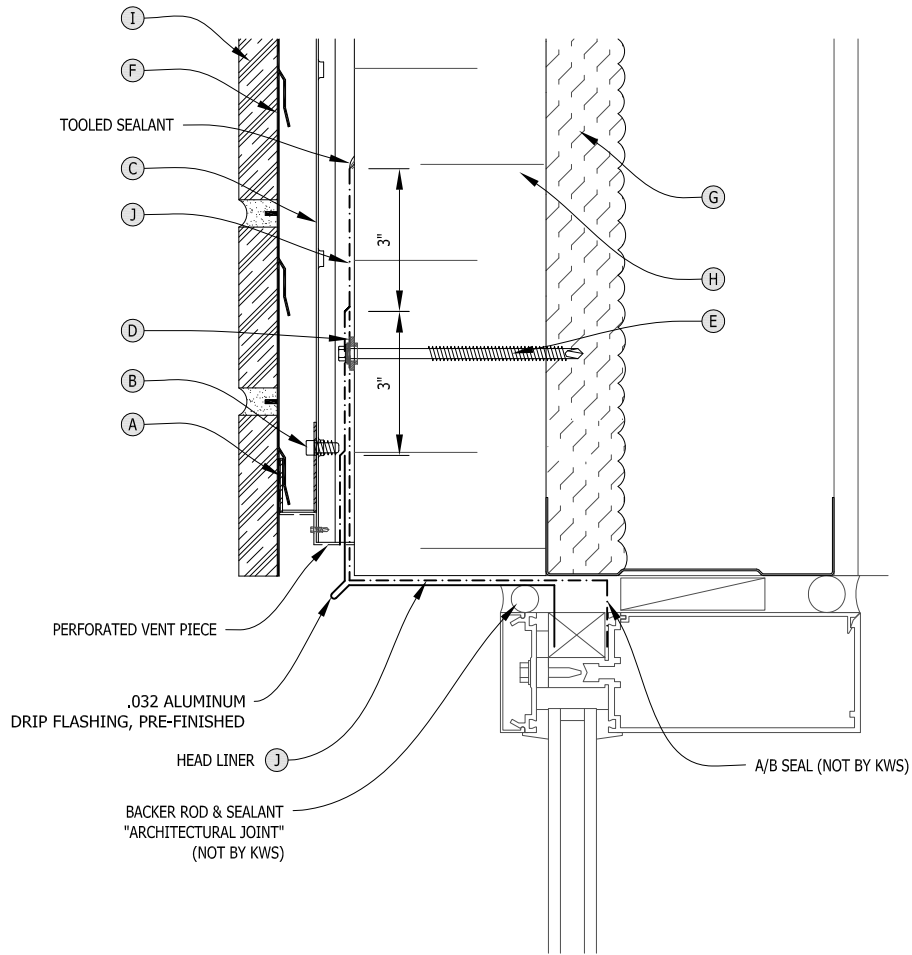
INSIDE CORNER

Scale: 3" = 1'-0"

DATE: 03/31/11



**KNIGHT™ SERIES THIN BRICK
 PANELS
 THERMAX™ WALL SYSTEM
 GUIDE DETAIL**



NOTE:
 THESE GUIDE DETAILS ARE PROVIDED FOR INFORMATION ONLY.
 PROJECT SPECIFIC DESIGNS ARE AVAILABLE THAT ADDRESS
 STRUCTURAL ATTACHMENT, THERMAL PERFORMANCE AND
 WEATHERPROOFING. CONTACT KWS FOR FURTHER DETAILS.
 For multi-cladding transition details, or to download the CAD version
 of these details, please visit us online at
www.knightwallsystems.com
 © Knight Wall Systems
 Deer Park, WA - 509.262.0104
 PATENT PENDING

11

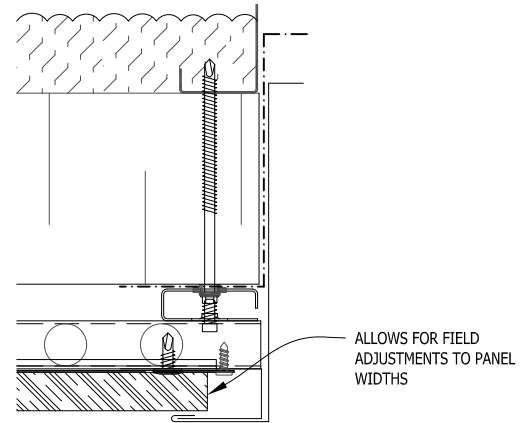
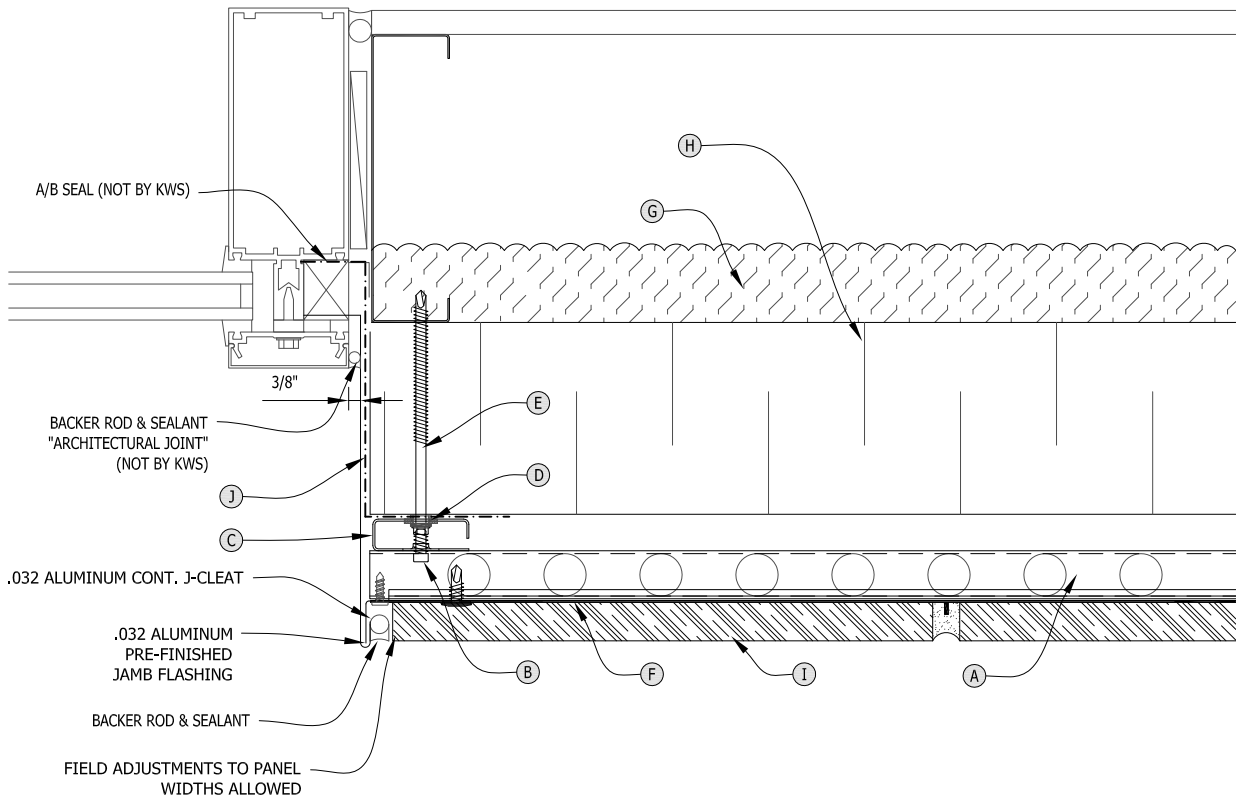
INSET WINDOW HEAD

Scale: 3" = 1'-0"

DATE: 03/31/11



KNIGHT™ SERIES THIN BRICK
 PANELS
 THERMAX™ WALL SYSTEM
 GUIDE DETAIL



12A ALTERNATE WINDOW JAMB

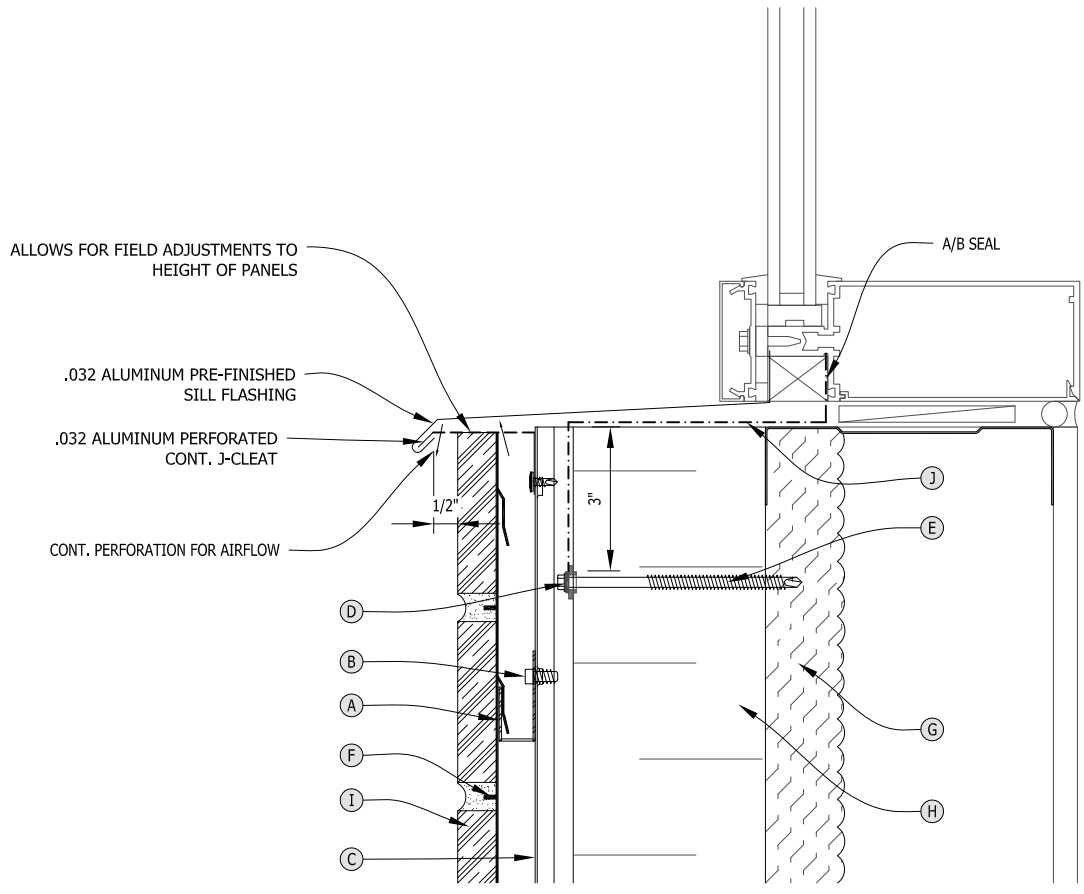
NOTE:
 THESE GUIDE DETAILS ARE PROVIDED FOR INFORMATION ONLY.
 PROJECT SPECIFIC DESIGNS ARE AVAILABLE THAT ADDRESS
 STRUCTURAL ATTACHMENT, THERMAL PERFORMANCE AND
 WEATHERPROOFING. CONTACT KWS FOR FURTHER DETAILS.
 For multi-cladding transition details, or to download the CAD version
 of these details, please visit us online at
www.knightwallsystems.com
 © Knight Wall Systems
 Deer Park, WA - 509.262.0104
 PATENT PENDING

12 INSET WINDOW JAMB
 Scale: 3" = 1'-0"

DATE: 03/31/11



KNIGHT™ SERIES THIN BRICK
 PANELS
 THERMAX™ WALL SYSTEM
 GUIDE DETAIL



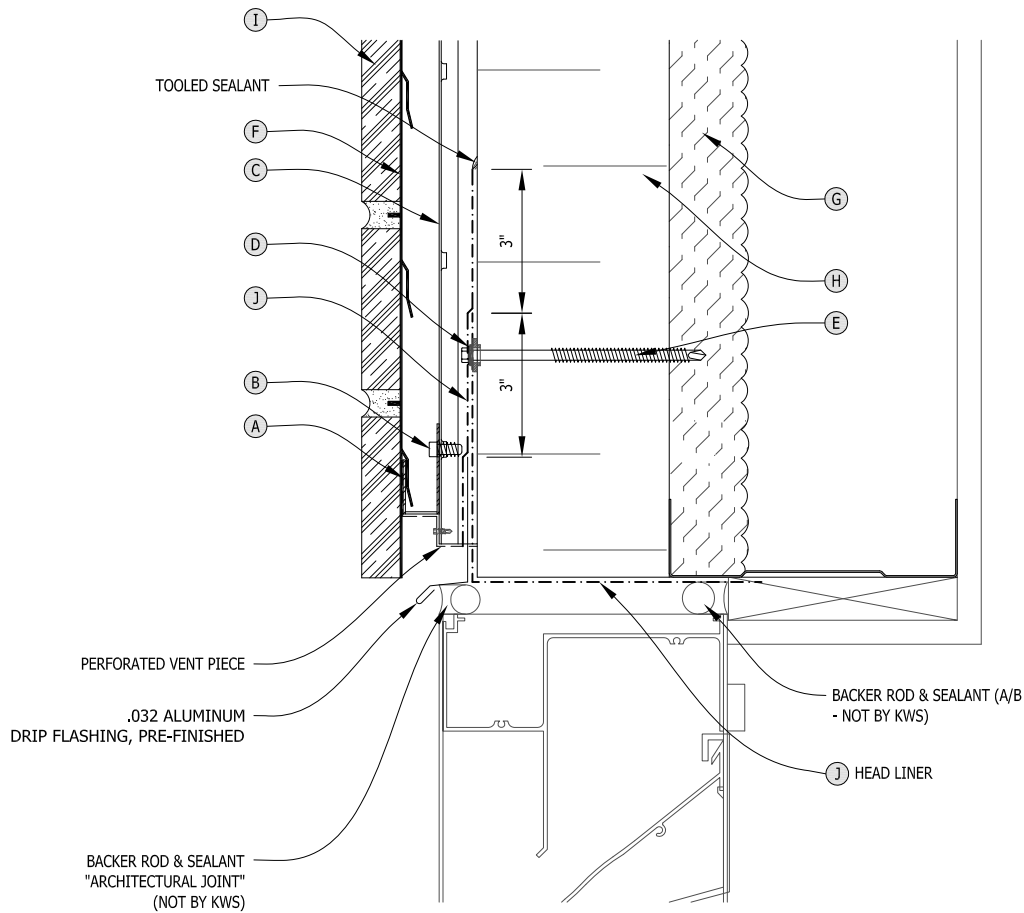
NOTE:
 THESE GUIDE DETAILS ARE PROVIDED FOR INFORMATION ONLY.
 PROJECT SPECIFIC DESIGNS ARE AVAILABLE THAT ADDRESS
 STRUCTURAL ATTACHMENT, THERMAL PERFORMANCE AND
 WEATHERPROOFING. CONTACT KWS FOR FURTHER DETAILS.
 For multi-cladding transition details, or to download the CAD version
 of these details, please visit us online at
www.knightwallsystems.com
 © Knight Wall Systems
 Deer Park, WA - 509.262.0104
 PATENT PENDING

13 INSET WINDOW SILL
 Scale: 3" = 1'-0"

DATE: 03/31/11



**KNIGHT™ SERIES THIN BRICK
 PANELS
 THERMAX™ WALL SYSTEM
 GUIDE DETAIL**



NOTE:
 THESE GUIDE DETAILS ARE PROVIDED FOR INFORMATION ONLY.
 PROJECT SPECIFIC DESIGNS ARE AVAILABLE THAT ADDRESS
 STRUCTURAL ATTACHMENT, THERMAL PERFORMANCE AND
 WEATHERPROOFING. CONTACT KWS FOR FURTHER DETAILS.
 For multi-cladding transition details, or to download the CAD version
 of these details, please visit us online at
www.knightwallsystems.com
 © Knight Wall Systems
 Deer Park, WA - 509.262.0104
 PATENT PENDING

14

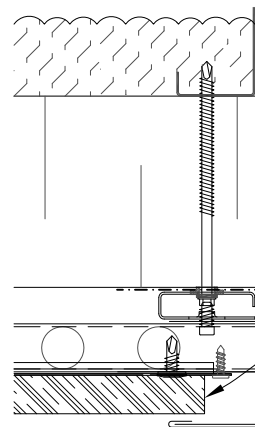
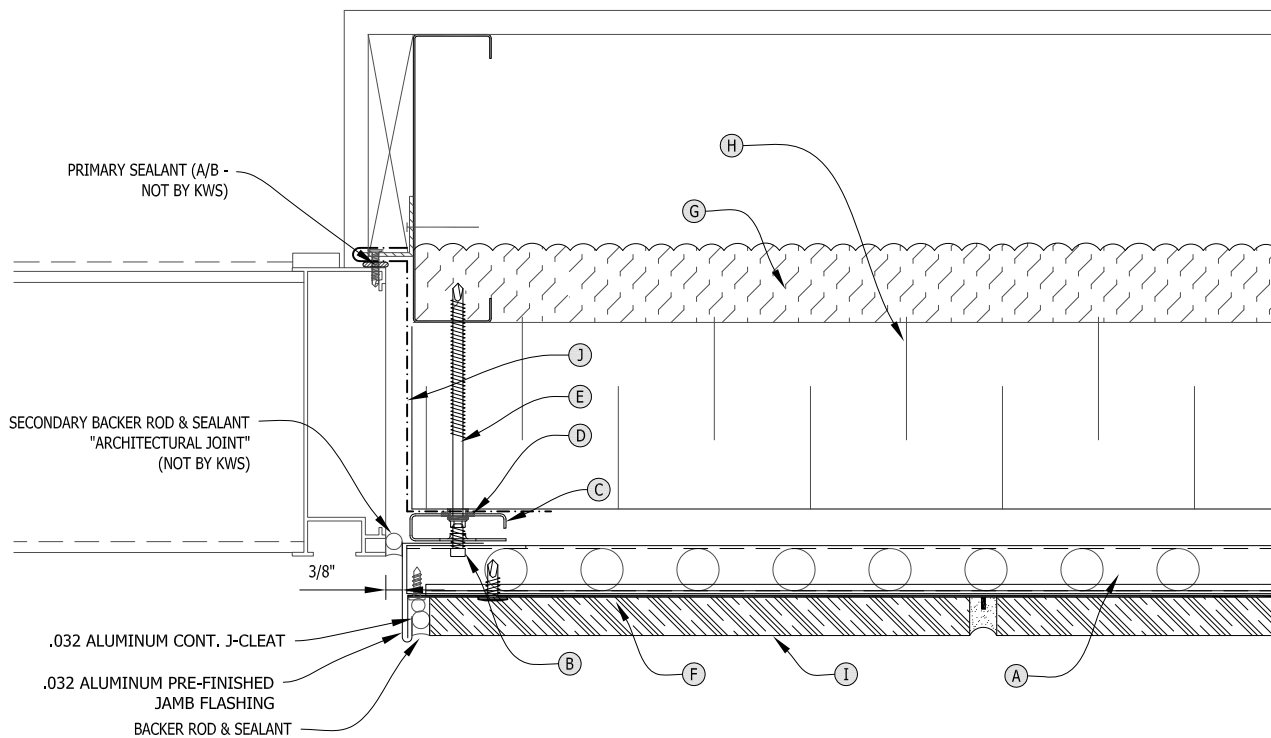
LOUVER HEAD

Scale: 3" = 1'-0"

DATE: 03/31/11



**KNIGHT™ SERIES THIN BRICK
 PANELS
 THERMAX™ WALL SYSTEM
 GUIDE DETAIL**



15A ALTERNATE LOUVER JAMB

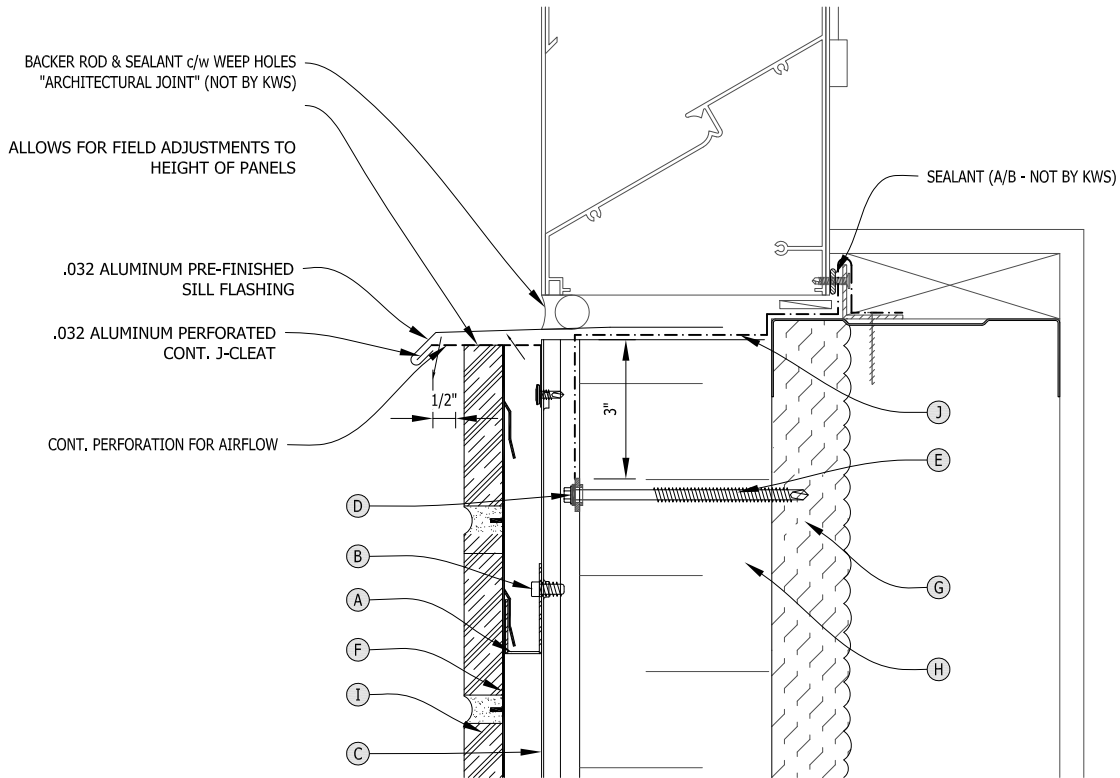
NOTE:
 THESE GUIDE DETAILS ARE PROVIDED FOR INFORMATION ONLY.
 PROJECT SPECIFIC DESIGNS ARE AVAILABLE THAT ADDRESS
 STRUCTURAL ATTACHMENT, THERMAL PERFORMANCE AND
 WEATHERPROOFING. CONTACT KWS FOR FURTHER DETAILS.
 For multi-cladding transition details, or to download the CAD version
 of these details, please visit us online at
www.knightwallsystems.com
 © Knight Wall Systems
 Deer Park, WA - 509.262.0104
 PATENT PENDING

15 LOUVER JAMB RIGHT
 Scale: 3" = 1'-0"

DATE: 03/31/11



KNIGHT™ SERIES THIN BRICK
 PANELS
 THERMAX™ WALL SYSTEM
 GUIDE DETAIL



NOTE:
 THESE GUIDE DETAILS ARE PROVIDED FOR INFORMATION ONLY.
 PROJECT SPECIFIC DESIGNS ARE AVAILABLE THAT ADDRESS
 STRUCTURAL ATTACHMENT, THERMAL PERFORMANCE AND
 WEATHERPROOFING. CONTACT KWS FOR FURTHER DETAILS.
 For multi-cladding transition details, or to download the CAD version
 of these details, please visit us online at
www.knightwallsystems.com
 © Knight Wall Systems
 Deer Park, WA - 509.262.0104
 PATENT PENDING

16

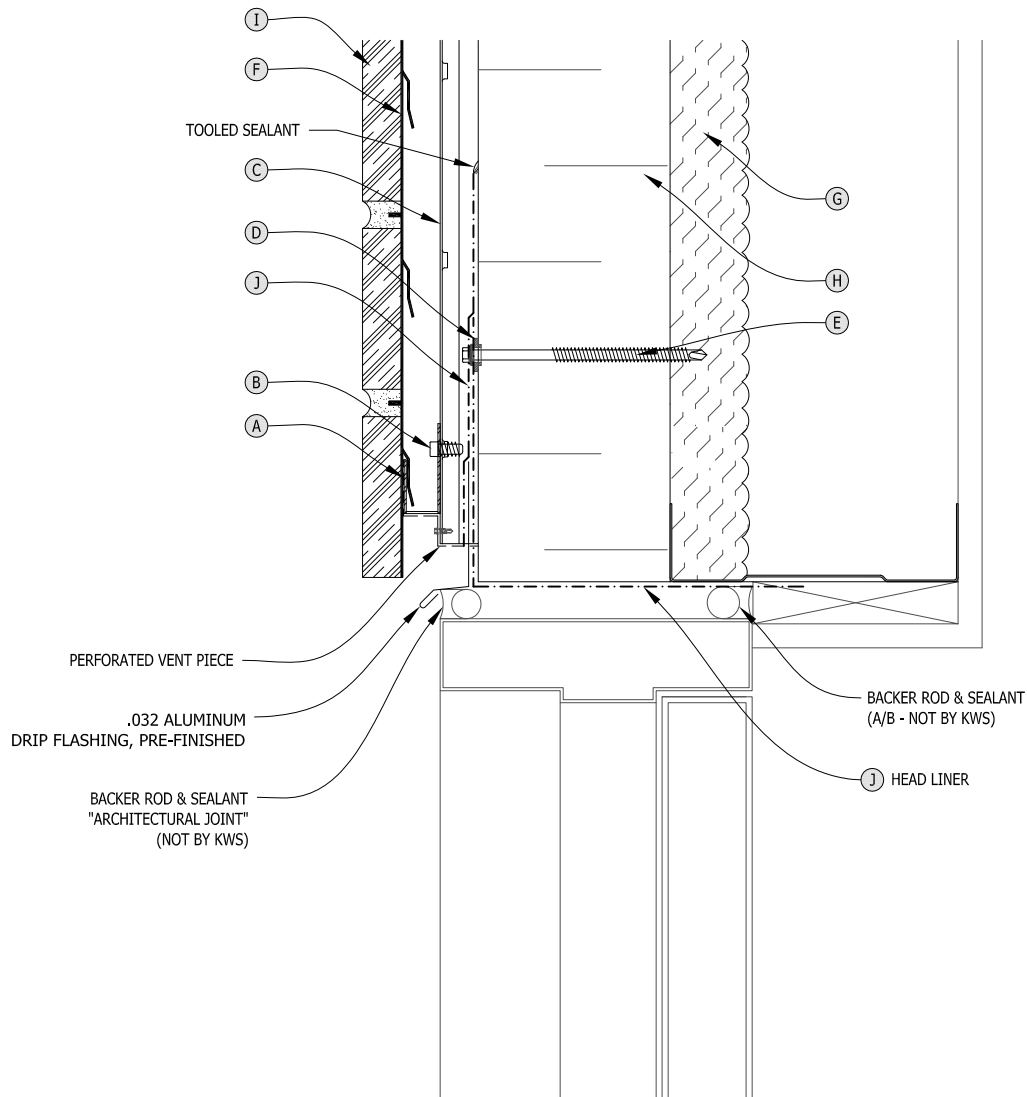
LOUVER SILL

Scale: 3" = 1'-0"

DATE: 03/31/11



KNIGHT™ SERIES THIN BRICK
 PANELS
 THERMAX™ WALL SYSTEM
 GUIDE DETAIL



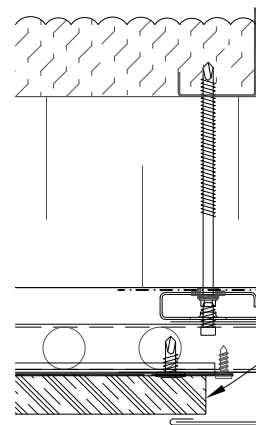
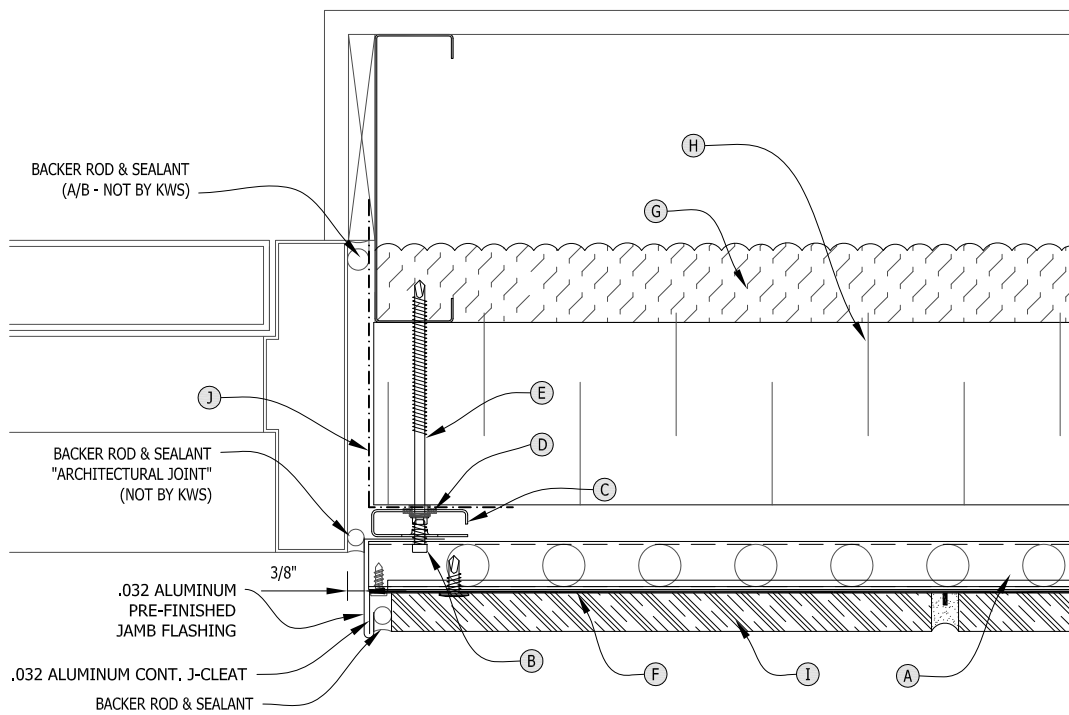
NOTE:
 THESE GUIDE DETAILS ARE PROVIDED FOR INFORMATION ONLY.
 PROJECT SPECIFIC DESIGNS ARE AVAILABLE THAT ADDRESS
 STRUCTURAL ATTACHMENT, THERMAL PERFORMANCE AND
 WEATHERPROOFING. CONTACT KWS FOR FURTHER DETAILS.
 For multi-cladding transition details, or to download the CAD version
 of these details, please visit us online at
www.knightwallsystems.com
 © Knight Wall Systems
 Deer Park, WA - 509.262.0104
 PATENT PENDING

17 DOOR HEAD
 Scale: 3" = 1'-0"

DATE: 03/31/11



**KNIGHT™ SERIES THIN BRICK
 PANELS
 THERMAX™ WALL SYSTEM
 GUIDE DETAIL**



18A ALTERNATE DOOR JAMB

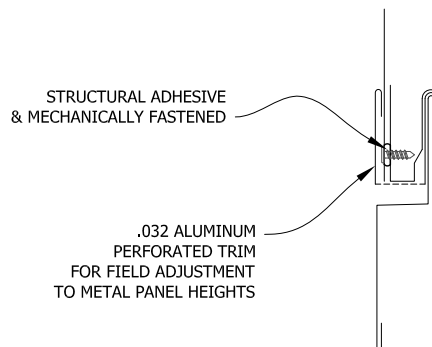
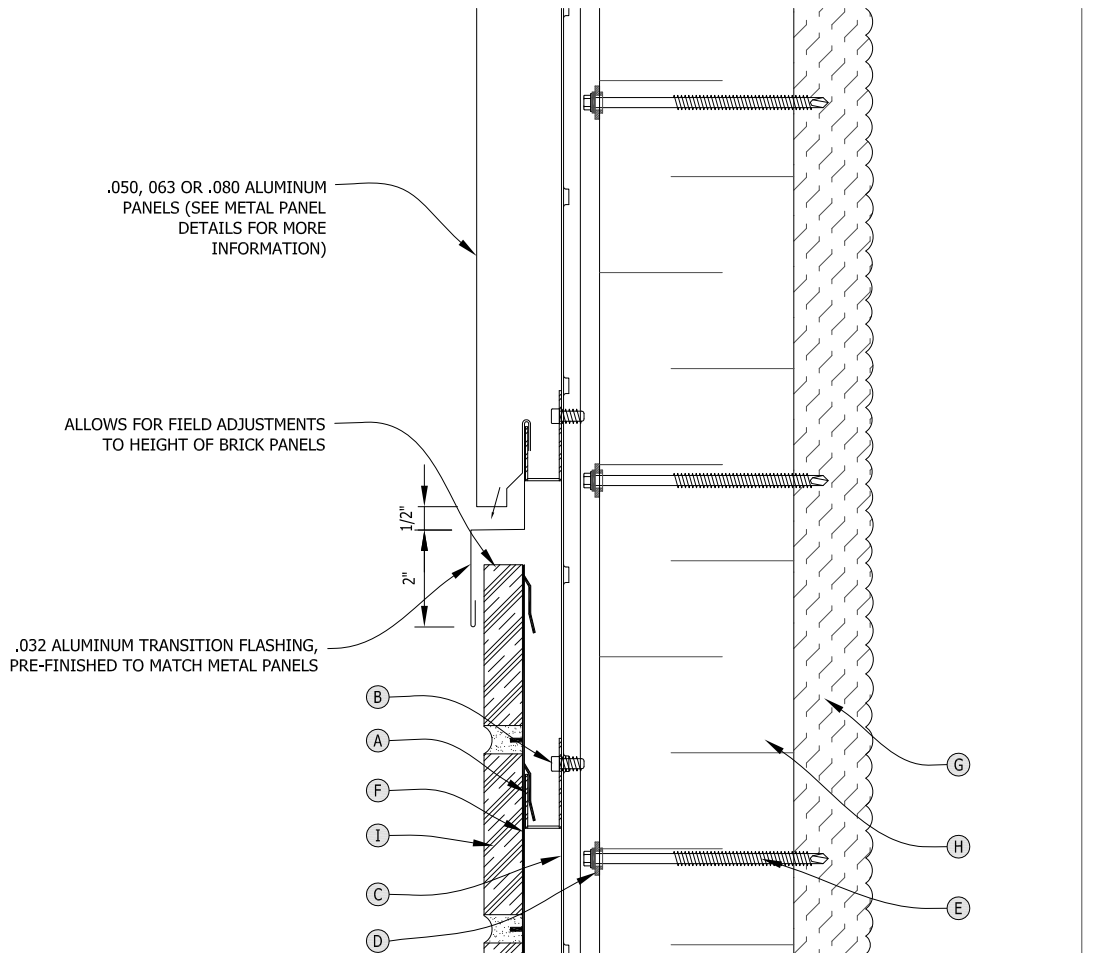
NOTE:
 THESE GUIDE DETAILS ARE PROVIDED FOR INFORMATION ONLY. PROJECT SPECIFIC DESIGNS ARE AVAILABLE THAT ADDRESS STRUCTURAL ATTACHMENT, THERMAL PERFORMANCE AND WEATHERPROOFING. CONTACT KWS FOR FURTHER DETAILS. For multi-cladding transition details, or to download the CAD version of these details, please visit us online at www.knightwallsystems.com
 © Knight Wall Systems
 Deer Park, WA - 509.262.0104
 PATENT PENDING

18 DOOR JAMB RIGHT
 Scale: 3" = 1'-0"

DATE: 03/31/11



KNIGHT™ SERIES THIN BRICK
 PANELS
 THERMAX™ WALL SYSTEM
 GUIDE DETAIL



19A ALTERNATE PANEL BASE

19 PANEL BASE
Scale: 3" = 1'-0"

NOTE:
THESE GUIDE DETAILS ARE PROVIDED FOR INFORMATION ONLY. PROJECT SPECIFIC DESIGNS ARE AVAILABLE THAT ADDRESS STRUCTURAL ATTACHMENT, THERMAL PERFORMANCE AND WEATHERPROOFING. CONTACT KWS FOR FURTHER DETAILS. For multi-cladding transition details, or to download the CAD version of these details, please visit us online at www.knightwallsystems.com
© Knight Wall Systems
Deer Park, WA - 509.262.0104
PATENT PENDING

DATE: 03/31/11



**KNIGHT™ SERIES THIN BRICK
PANELS
THERMAX™ WALL SYSTEM
GUIDE DETAIL**