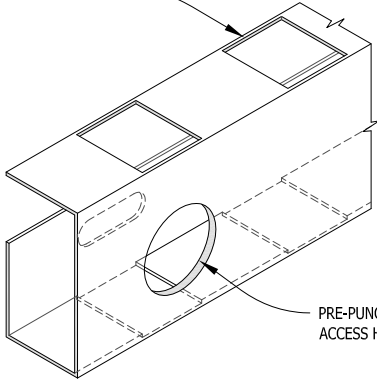
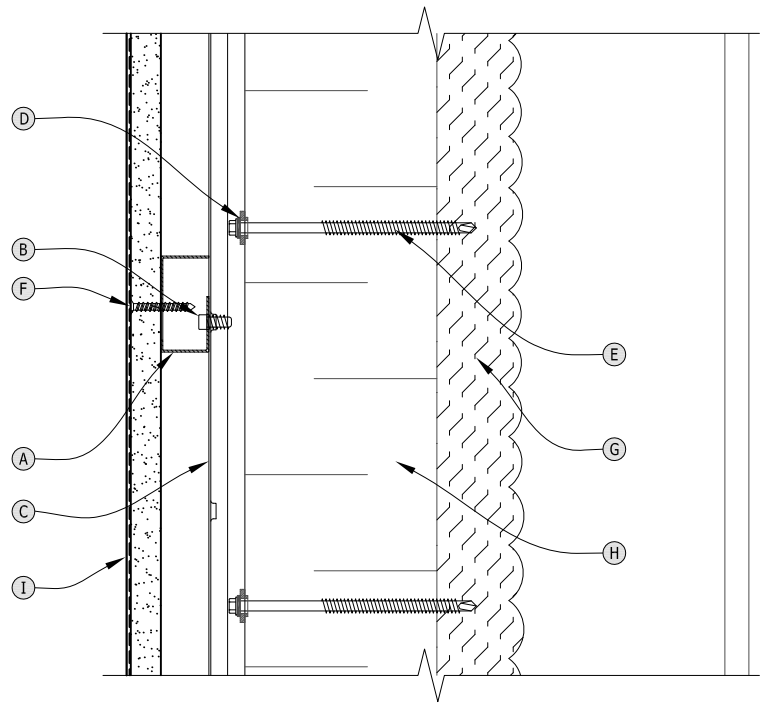


PRE-PUNCHED VENTILATION HOLES @ 2" O.C.



PRE-PUNCHED CAP SCREW ACCESS HOLES @ 8" O.C.



**A** PanelRail - AXONOMETRIC  
Scale: NTS

**-** TYPICAL SECTION VIEW  
Scale: 3"=1'-0"

**PARTS LIST:**

- |  |  |
|--|--|
| <ul style="list-style-type: none"> <li><b>(A)</b> PanelRail</li> <li><b>(B)</b> STAINLESS STEEL CAP SCREW BY KWS</li> <li><b>(C)</b> CI-Girt™</li> <li><b>(D)</b> THERMAL ISOLATOR AT EACH WALL FASTENER, TYP.</li> <li><b>(E)</b> NO. 12 CORROSION RESISTANT FASTENER. STAINLESS STEEL FASTENER AVAILABLE WHICH PROVIDES SUPERIOR CORROSION RESISTANCE AND IMPROVED THERMAL PERFORMANCE. CONTACT KWS FOR MORE INFORMATION.</li> </ul> | <ul style="list-style-type: none"> <li><b>(F)</b> PERMABASE® CEMENT BOARD FASTENER</li> <li><b>(G)</b> DOW STYROFOAM™ SPRAY POLYURETHANE FOAM CM SERIES</li> <li><b>(H)</b> DOW THERMAX™ (ci) (EXTERIOR INSULATION)</li> <li><b>(I)</b> 5/8" PERMABASE® CEMENT BOARD w/ ACRYLIC BASE &amp; FIBERGLASS MESH w/ ACRYLIC FINISH COAT</li> <li><b>(J)</b> DOW WEATHERMATE™ STRAIGHT FLASHING (AT JOINTS IN DOW THERMAX™ &amp; WINDOW DETAILS)</li> </ul> |
|--|--|

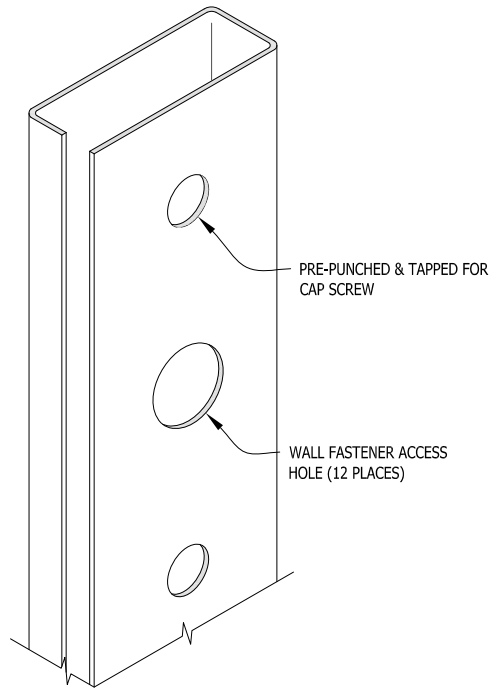
**NOTE:**  
THESE GUIDE DETAILS ARE PROVIDED FOR INFORMATION ONLY. PROJECT SPECIFIC DESIGNS ARE AVAILABLE THAT ADDRESS STRUCTURAL ATTACHMENT, THERMAL PERFORMANCE AND WEATHERPROOFING. CONTACT KWS FOR FURTHER DETAILS. For multi-cladding transition details, or to download the CAD version of these details, please visit us online at [www.knightwallsystems.com](http://www.knightwallsystems.com)  
© Knight Wall Systems  
Deer Park, WA - 509.262.0104  
PATENT PENDING

**1** PARTS LIST - WALL SECTION  
Scale: As Noted

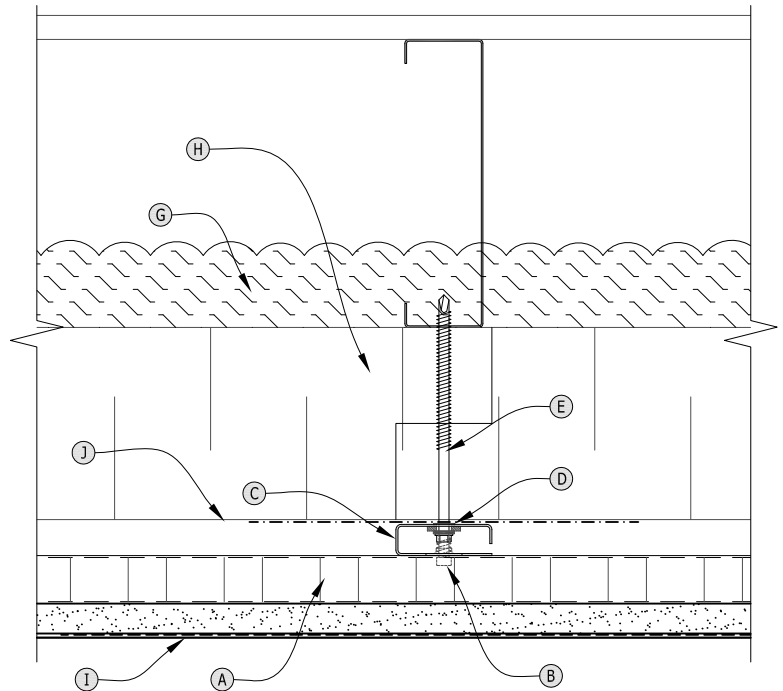
DATE: 03/31/11



**KNIGHT™ SERIES  
STUCCO  
THERMAX™ WALL SYSTEM  
GUIDE DETAIL**



**C** CI Girt - AXONOMETRIC  
Scale: NTS



**-** TYPICAL PLAN VIEW  
Scale: 3"=1'-0"

## PARTS LIST:

- |            |   |            |   |
|------------|---|------------|---|
| <b>(A)</b> | PanelRail   | <b>(F)</b> | PERMABASE <sup>®</sup> CEMENT BOARD FASTENER  |
| <b>(B)</b> | STAINLESS STEEL CAP SCREW BY KWS  | <b>(G)</b> | DOW STYROFOAM <sup>™</sup> SPRAY POLYURETHANE FOAM CM SERIES  |
| <b>(C)</b> | CI-Girt <sup>™</sup>  | <b>(H)</b> | DOW THERMAX <sup>™</sup> (ci) (EXTERIOR INSULATION)   |
| <b>(D)</b> | THERMAL ISOLATOR AT EACH WALL FASTENER, TYP.  | <b>(I)</b> | 5/8" PERMABASE <sup>®</sup> CEMENT BOARD w/ ACRYLIC BASE & FIBERGLASS MESH w/ ACRYLIC FINISH COAT       |
| <b>(E)</b> | NO. 12 CORROSION RESISTANT FASTENER.<br>STAINLESS STEEL FASTENER AVAILABLE WHICH PROVIDES SUPERIOR CORROSION RESISTANCE AND IMPROVED THERMAL PERFORMANCE. CONTACT KWS FOR MORE INFORMATION. | <b>(J)</b> | DOW WEATHERMATE <sup>™</sup> STRAIGHT FLASHING (AT JOINTS IN DOW THERMAX <sup>™</sup> & WINDOW DETAILS) |

**NOTE:**  
THESE GUIDE DETAILS ARE PROVIDED FOR INFORMATION ONLY. PROJECT SPECIFIC DESIGNS ARE AVAILABLE THAT ADDRESS STRUCTURAL ATTACHMENT, THERMAL PERFORMANCE AND WEATHERPROOFING. CONTACT KWS FOR FURTHER DETAILS. For multi-cladding transition details, or to download the CAD version of these details, please visit us online at [www.knightwallsystems.com](http://www.knightwallsystems.com)  
© Knight Wall Systems  
Deer Park, WA - 509.262.0104  
PATENT PENDING

**2**

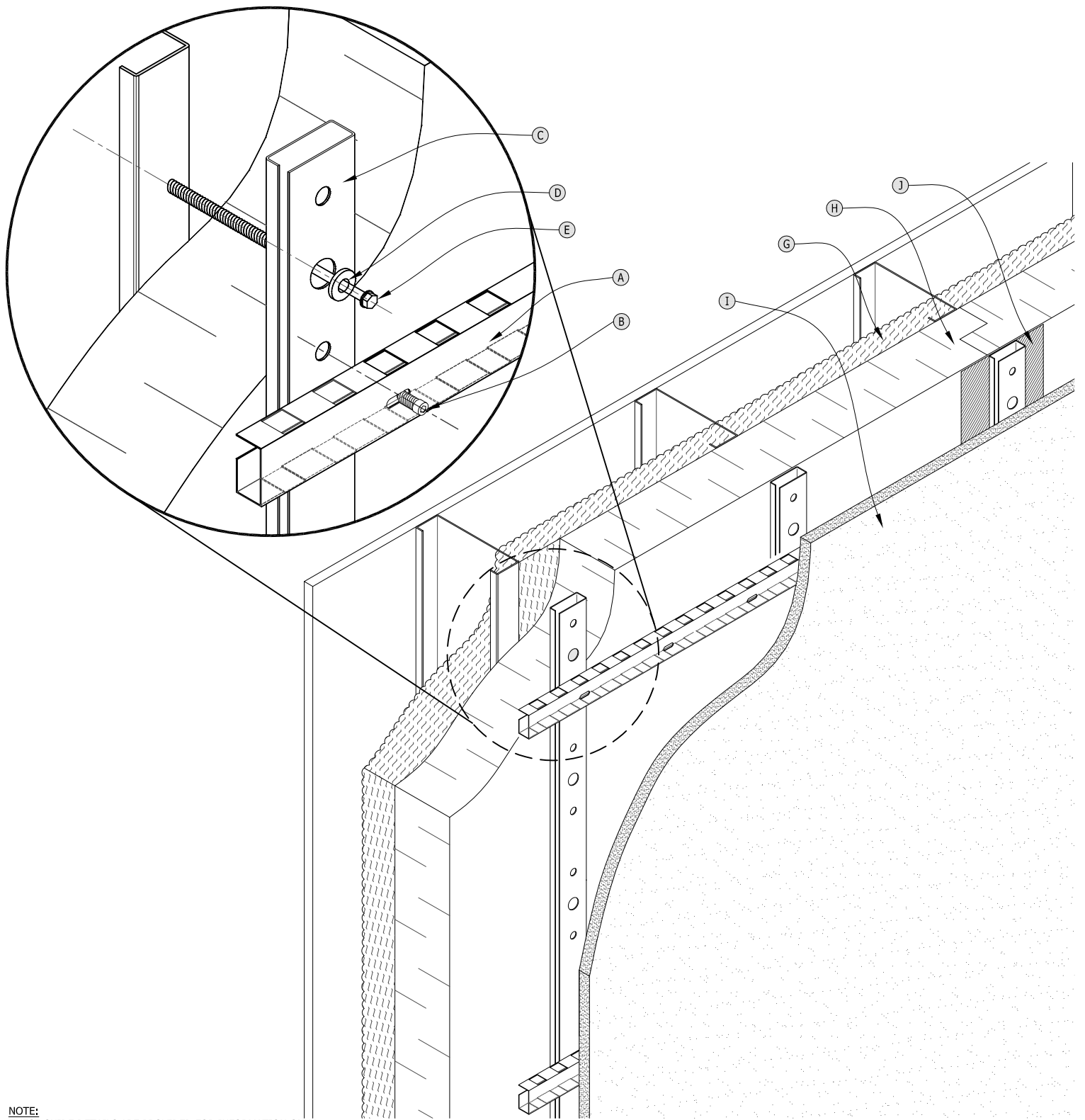
## PARTS LIST - WALL PLAN

Scale: As Noted

DATE: 03/31/11



KNIGHT<sup>™</sup> SERIES  
STUCCO  
THERMAX<sup>™</sup> WALL SYSTEM  
GUIDE DETAIL



**NOTE:**  
 THESE GUIDE DETAILS ARE PROVIDED FOR INFORMATION ONLY.  
 PROJECT SPECIFIC DESIGNS ARE AVAILABLE THAT ADDRESS  
 STRUCTURAL ATTACHMENT, THERMAL PERFORMANCE AND  
 WEATHERPROOFING. CONTACT KWS FOR FURTHER DETAILS.  
 For multi-cladding transition details, or to download the CAD version  
 of these details, please visit us online at  
[www.knightwallsystems.com](http://www.knightwallsystems.com)  
 © Knight Wall Systems  
 Deer Park, WA - 509.262.0104  
 PATENT PENDING

3

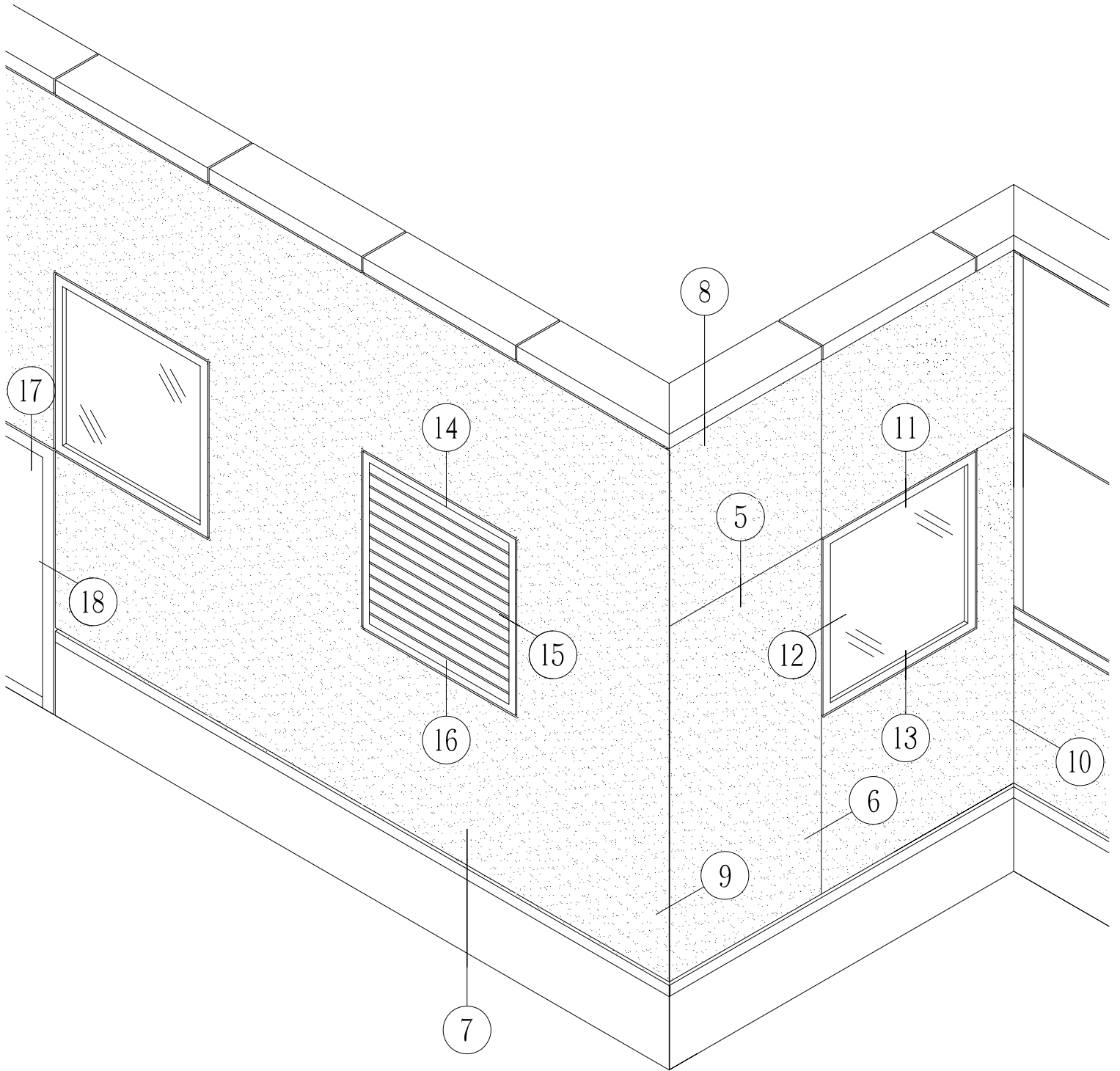
WALL - AXONOMETRIC

Scale: NTS

DATE: 03/31/11



KNIGHT™ SERIES  
 STUCCO  
 THERMAX™ WALL SYSTEM  
 GUIDE DETAIL



**NOTE:**  
 THESE GUIDE DETAILS ARE PROVIDED FOR INFORMATION ONLY.  
 PROJECT SPECIFIC DESIGNS ARE AVAILABLE THAT ADDRESS  
 STRUCTURAL ATTACHMENT, THERMAL PERFORMANCE AND  
 WEATHERPROOFING. CONTACT KWS FOR FURTHER DETAILS.  
 For multi-cladding transition details, or to download the CAD version  
 of these details, please visit us online at  
[www.knightwallsystems.com](http://www.knightwallsystems.com)  
 © Knight Wall Systems  
 Deer Park, WA - 509.262.0104  
 PATENT PENDING

**4**

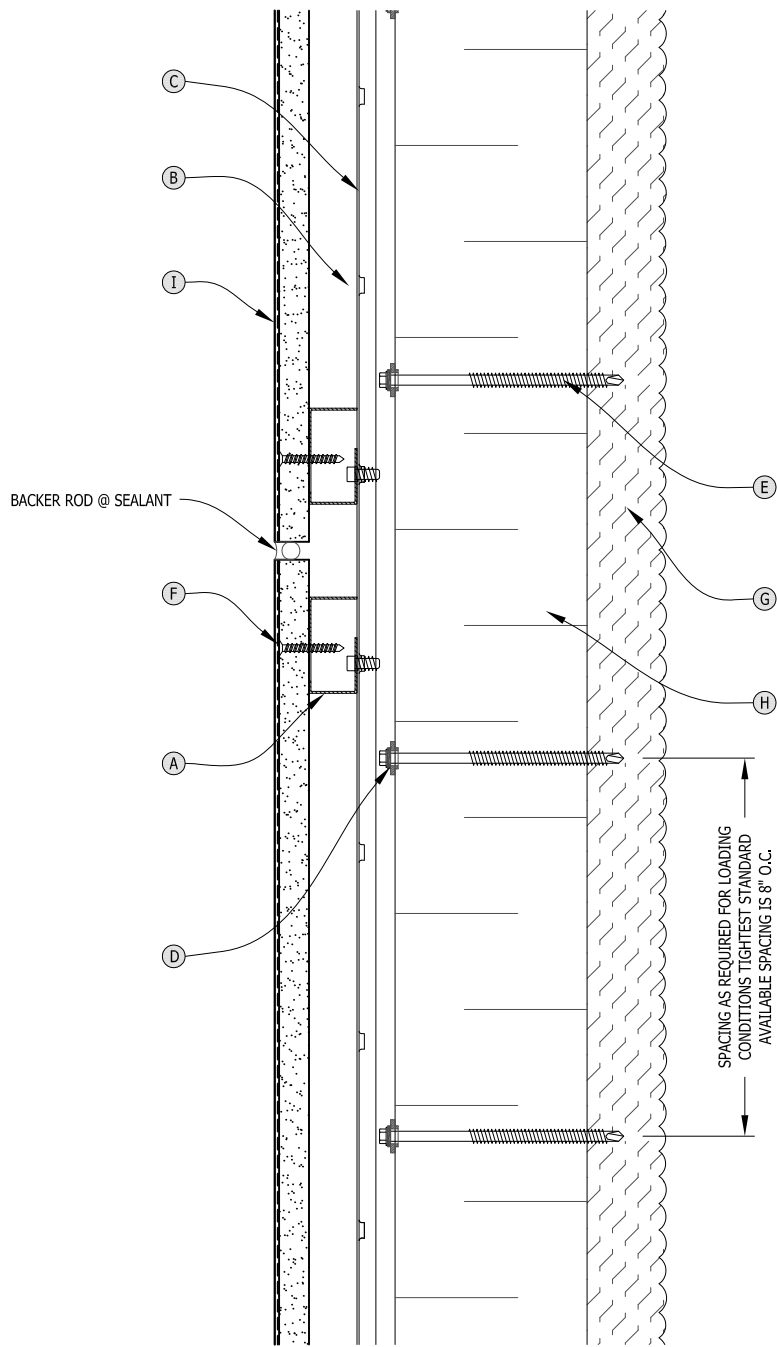
**DETAIL REFERENCES**

Scale: NTS

DATE: 03/31/11



**KNIGHT™ SERIES  
 STUCCO  
 THERMAX™ WALL SYSTEM  
 GUIDE DETAIL**



**NOTE:**  
 THESE GUIDE DETAILS ARE PROVIDED FOR INFORMATION ONLY.  
 PROJECT SPECIFIC DESIGNS ARE AVAILABLE THAT ADDRESS  
 STRUCTURAL ATTACHMENT, THERMAL PERFORMANCE AND  
 WEATHERPROOFING. CONTACT KWS FOR FURTHER DETAILS.  
 For multi-cladding transition details, or to download the CAD version  
 of these details, please visit us online at  
[www.knightwallsystems.com](http://www.knightwallsystems.com)  
 © Knight Wall Systems  
 Deer Park, WA - 509.262.0104  
 PATENT PENDING

5a

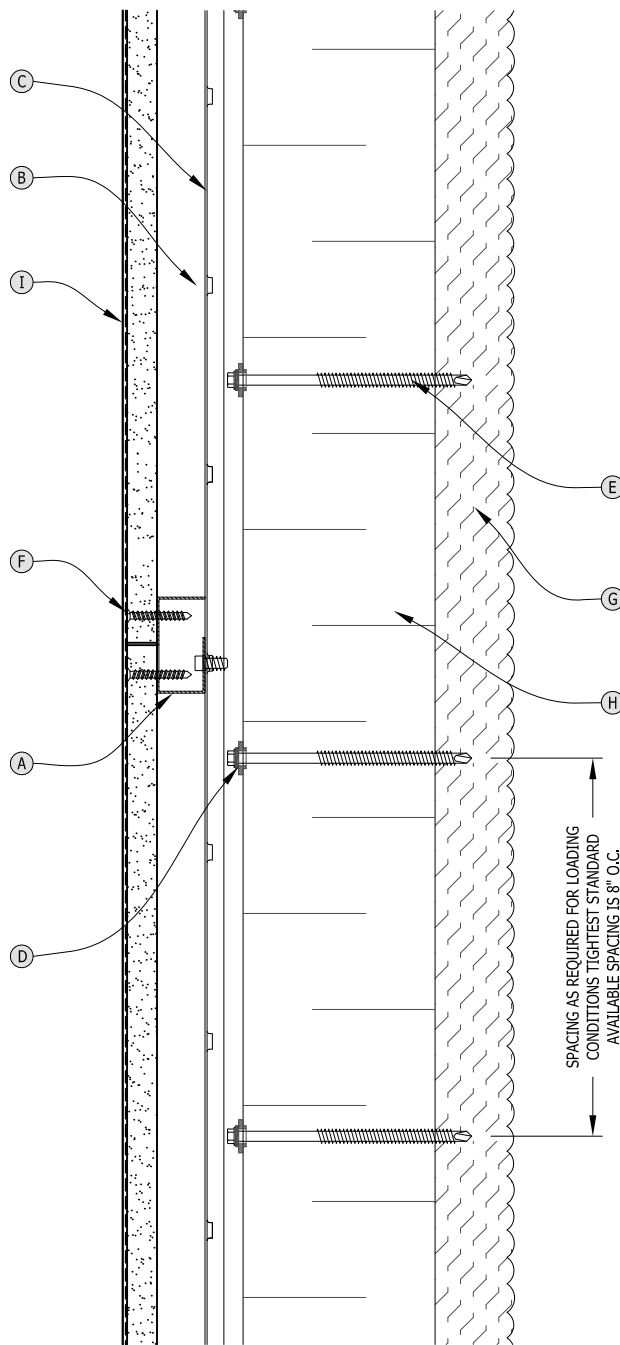
TYPICAL HORIZONTAL JOINT

Scale: 3" = 1'-0"

DATE: 03/31/11



KNIGHT™ SERIES  
 STUCCO  
 THERMAX™ WALL SYSTEM  
 GUIDE DETAIL



**NOTE:**  
 THESE GUIDE DETAILS ARE PROVIDED FOR INFORMATION ONLY.  
 PROJECT SPECIFIC DESIGNS ARE AVAILABLE THAT ADDRESS  
 STRUCTURAL ATTACHMENT, THERMAL PERFORMANCE AND  
 WEATHERPROOFING. CONTACT KWS FOR FURTHER DETAILS.  
 For multi-cladding transition details, or to download the CAD version  
 of these details, please visit us online at  
[www.knightwallsystems.com](http://www.knightwallsystems.com)  
 © Knight Wall Systems  
 Deer Park, WA - 509.262.0104  
 PATENT PENDING

**5b**

**TYPICAL HORIZONTAL JOINT**

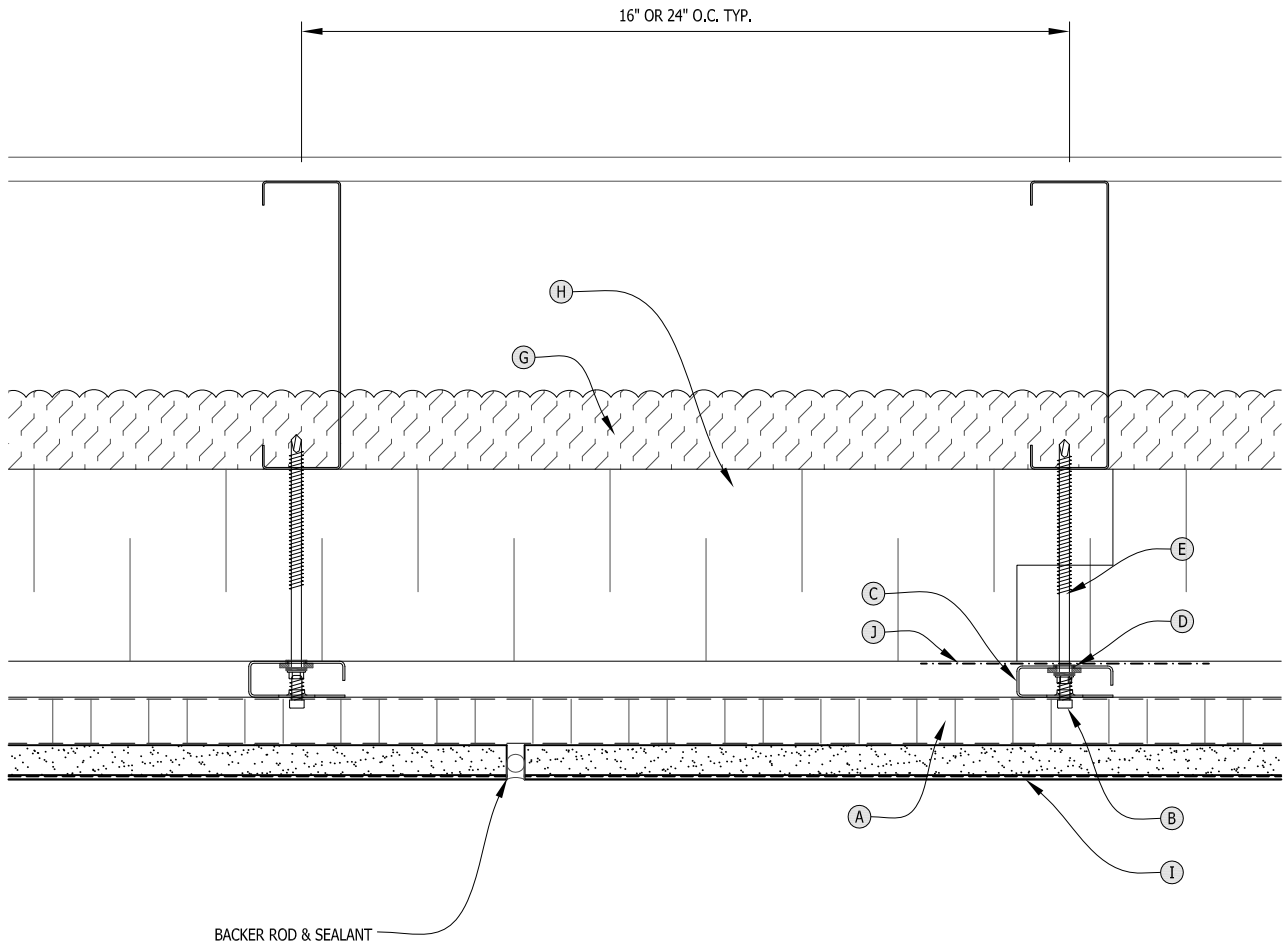
Scale: 3" = 1'-0"

SPACING AS REQUIRED FOR LOADING  
 CONDITIONS TIGHTEST STANDARD  
 AVAILABLE SPACING IS 8" O.C.

DATE: 03/31/11



**KNIGHT™ SERIES  
 STUCCO  
 THERMAX™ WALL SYSTEM  
 GUIDE DETAIL**



NOTE:  
 THESE GUIDE DETAILS ARE PROVIDED FOR INFORMATION ONLY.  
 PROJECT SPECIFIC DESIGNS ARE AVAILABLE THAT ADDRESS  
 STRUCTURAL ATTACHMENT, THERMAL PERFORMANCE AND  
 WEATHERPROOFING. CONTACT KWS FOR FURTHER DETAILS.  
 For multi-cladding transition details, or to download the CAD version  
 of these details, please visit us online at  
[www.knightwallsystems.com](http://www.knightwallsystems.com)  
 © Knight Wall Systems  
 Deer Park, WA - 509.262.0104  
 PATENT PENDING

6

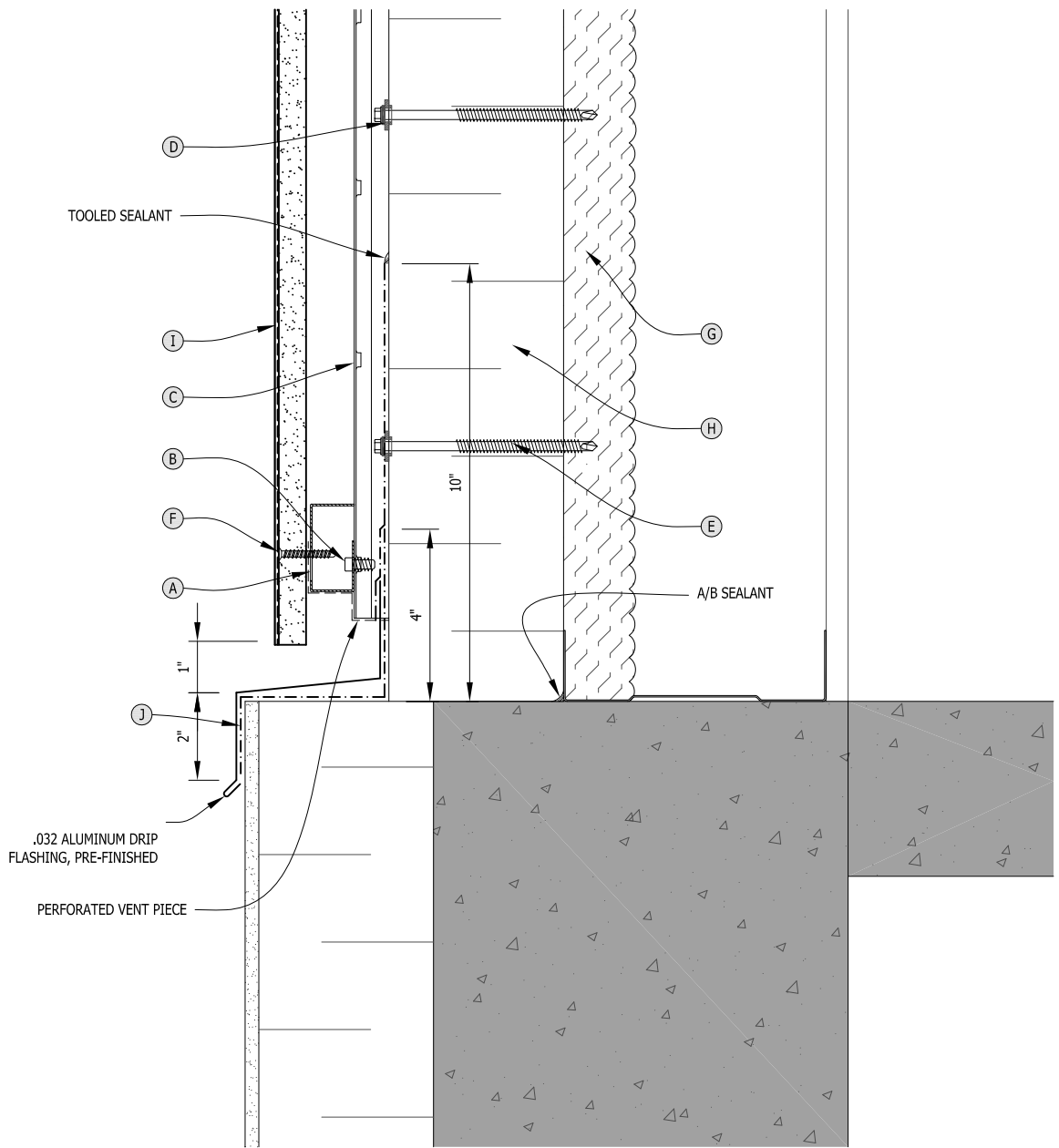
TYPICAL VERTICAL JOINT

Scale: 3" = 1'-0"

DATE: 03/31/11



KNIGHT™ SERIES  
 STUCCO  
 THERMAX™ WALL SYSTEM  
 GUIDE DETAIL



**NOTE:**  
 THESE GUIDE DETAILS ARE PROVIDED FOR INFORMATION ONLY.  
 PROJECT SPECIFIC DESIGNS ARE AVAILABLE THAT ADDRESS  
 STRUCTURAL ATTACHMENT, THERMAL PERFORMANCE AND  
 WEATHERPROOFING. CONTACT KWS FOR FURTHER DETAILS.  
 For multi-cladding transition details, or to download the CAD version  
 of these details, please visit us online at  
[www.knightwallsystems.com](http://www.knightwallsystems.com)  
 © Knight Wall Systems  
 Deer Park, WA - 509.262.0104  
 PATENT PENDING

**7**

**TYPICAL BASE OF WALL**

Scale: 3" = 1'-0"

DATE: 03/31/11



**KNIGHT™ SERIES  
 STUCCO  
 THERMAX™ WALL SYSTEM  
 GUIDE DETAIL**

ENSURE AIR BARRIER IN ROOF ASSEMBLY TIES INTO THERMAX™ WALL SYSTEM FOR AIR BARRIER CONTINUITY.

CONTRACTOR TO FIELD VERIFY

.040 ALUMINUM COPING (OR 22 GA GALVANIZED STEEL), COLOR PER SPECIFICATIONS

.040 ALUMINUM CONT. PERFORATED COPING SUPPORT, ATTACHED WITH S.S. FASTENERS @ 24" O.C. OR LESS

WITH .040 ALUMINUM BUTT PLATE, MATCHING COLOR, 6" LONG, CENTERED AT COPING JOINT, 4 BEADS OF SEALANT PER JOINT.

P/T SLOPED WOOD BLOCKING (NOT BY KWS)

.040 ALUMINUM CONT. PERFORATED COPING CLIP, ATTACHED WITH S.S. FASTENERS @ 24" O.C. OR LESS

COATED GALVANIZED STEEL TEK3 FASTENERS W/NEOPRENE WASHERS @ 24" O.C. (NOT BY KWS)

PER PLANS

PER PLANS

±1/2"

I

F

B

A

D

C

G

H

E

ROOF SHEATHING (NOT BY KWS)

ROOF MEMBRANE (NOT BY KWS)

1/4" GAP FOR EXPANSION

PARAPET CAP

BUTT PLATE

SEALANT (4 BEADS)

**8A** SECTION AT BUTT PLATE

Scale: NTS

**NOTE:**  
 THESE GUIDE DETAILS ARE PROVIDED FOR INFORMATION ONLY. PROJECT SPECIFIC DESIGNS ARE AVAILABLE THAT ADDRESS STRUCTURAL ATTACHMENT, THERMAL PERFORMANCE AND WEATHERPROOFING. CONTACT KWS FOR FURTHER DETAILS. For multi-cladding transition details, or to download the CAD version of these details, please visit us online at [www.knightwallsystems.com](http://www.knightwallsystems.com)  
 © Knight Wall Systems  
 Deer Park, WA - 509.262.0104  
 PATENT PENDING

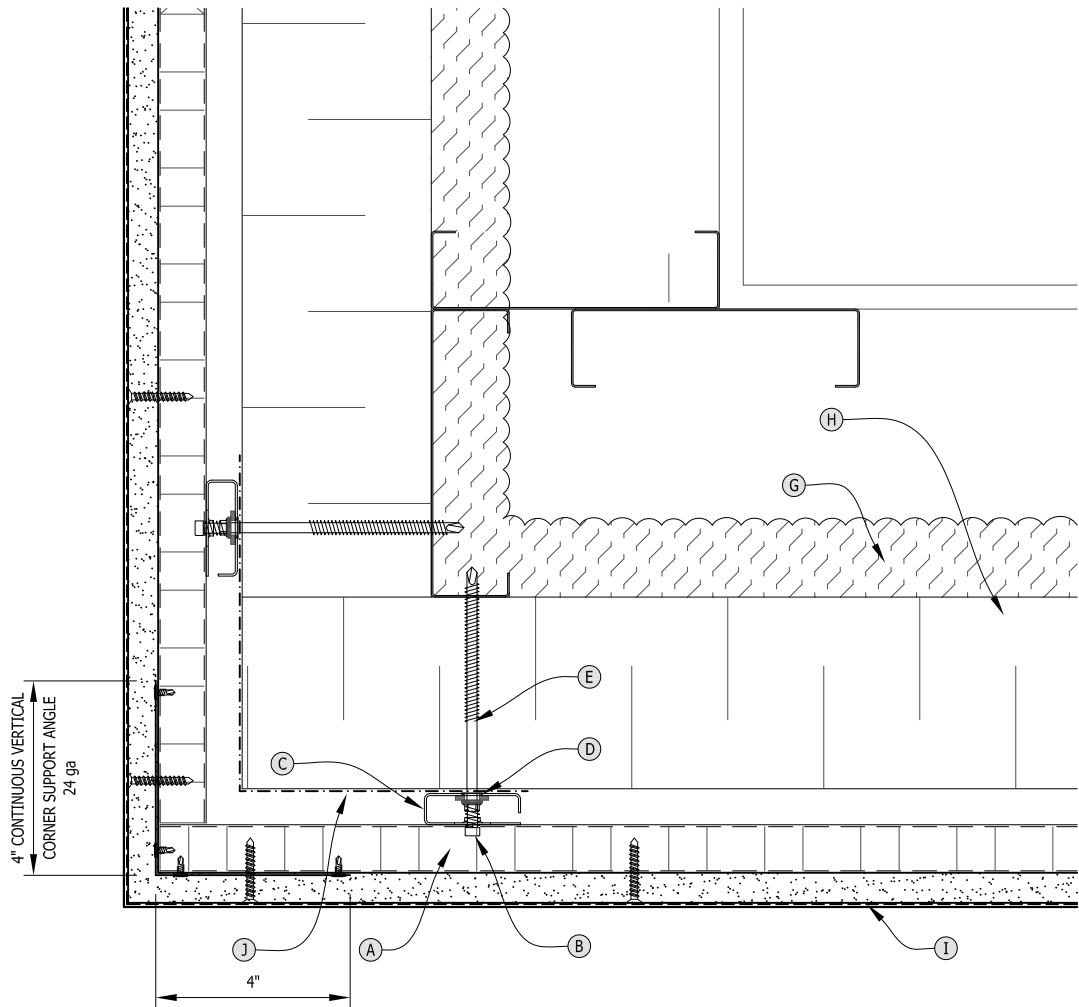
**8** PARAPET COPING

Scale: 3" = 1'-0"

DATE: 03/31/11



**KNIGHT™ SERIES  
 STUCCO  
 THERMAX™ WALL SYSTEM  
 GUIDE DETAIL**



NOTE:  
 THESE GUIDE DETAILS ARE PROVIDED FOR INFORMATION ONLY.  
 PROJECT SPECIFIC DESIGNS ARE AVAILABLE THAT ADDRESS  
 STRUCTURAL ATTACHMENT, THERMAL PERFORMANCE AND  
 WEATHERPROOFING. CONTACT KWS FOR FURTHER DETAILS.  
 For multi-cladding transition details, or to download the CAD version  
 of these details, please visit us online at  
[www.knightwallsystems.com](http://www.knightwallsystems.com)  
 © Knight Wall Systems  
 Deer Park, WA - 509.262.0104  
 PATENT PENDING

9

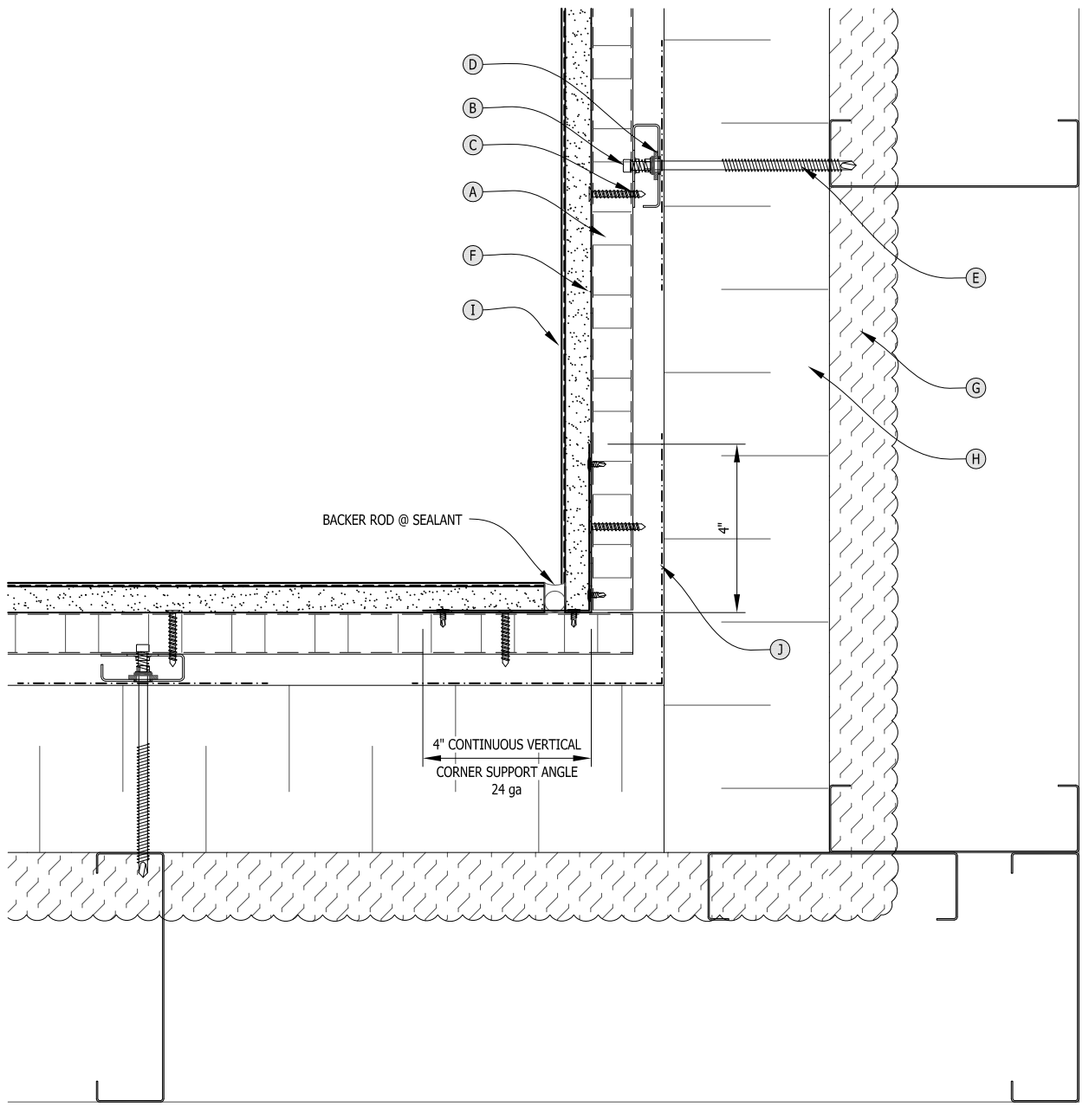
OUTSIDE CORNER

Scale: 3" = 1'-0"

DATE: 03/31/11



KNIGHT™ SERIES  
 STUCCO  
 THERMAX™ WALL SYSTEM  
 GUIDE DETAIL



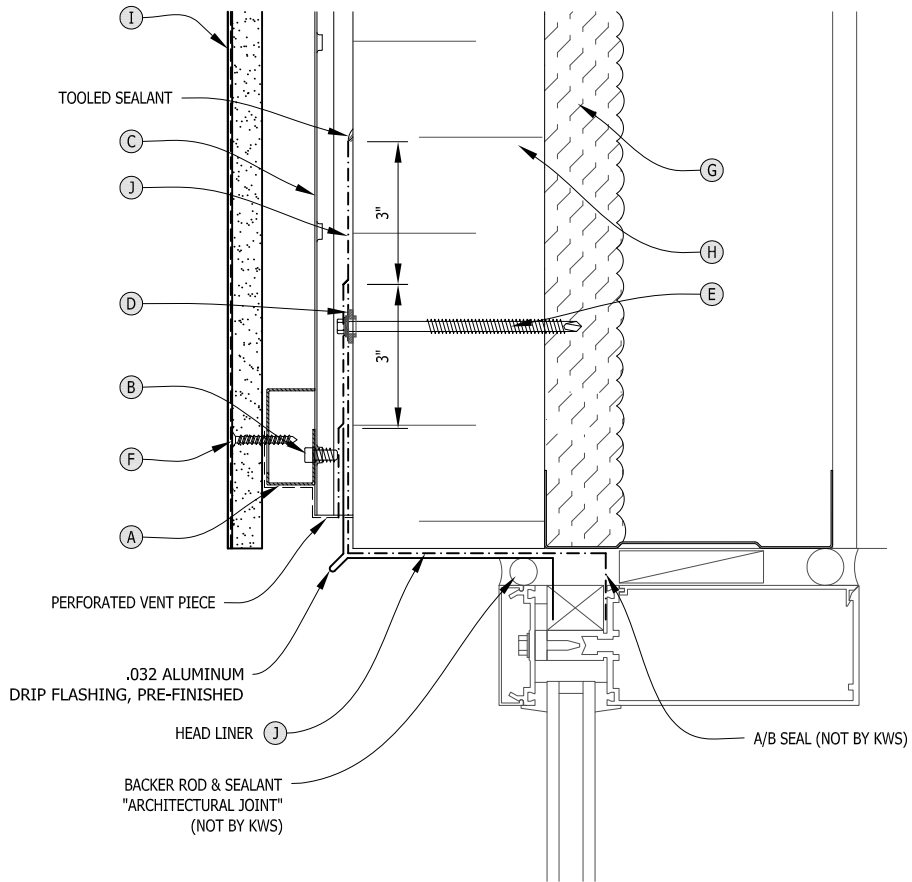
NOTE:  
 THESE GUIDE DETAILS ARE PROVIDED FOR INFORMATION ONLY.  
 PROJECT SPECIFIC DESIGNS ARE AVAILABLE THAT ADDRESS  
 STRUCTURAL ATTACHMENT, THERMAL PERFORMANCE AND  
 WEATHERPROOFING. CONTACT KWS FOR FURTHER DETAILS.  
 For multi-cladding transition details, or to download the CAD version  
 of these details, please visit us online at  
[www.knightwallsystems.com](http://www.knightwallsystems.com)  
 © Knight Wall Systems  
 Deer Park, WA - 509.262.0104  
 PATENT PENDING

**10** INSIDE CORNER  
 Scale: 3" = 1'-0"

DATE: 03/31/11



KNIGHT™ SERIES  
 STUCCO  
 THERMAX™ WALL SYSTEM  
 GUIDE DETAIL



**NOTE:**  
 THESE GUIDE DETAILS ARE PROVIDED FOR INFORMATION ONLY.  
 PROJECT SPECIFIC DESIGNS ARE AVAILABLE THAT ADDRESS  
 STRUCTURAL ATTACHMENT, THERMAL PERFORMANCE AND  
 WEATHERPROOFING. CONTACT KWS FOR FURTHER DETAILS.  
 For multi-cladding transition details, or to download the CAD version  
 of these details, please visit us online at  
[www.knightwallsystems.com](http://www.knightwallsystems.com)  
 © Knight Wall Systems  
 Deer Park, WA - 509.262.0104  
 PATENT PENDING

11

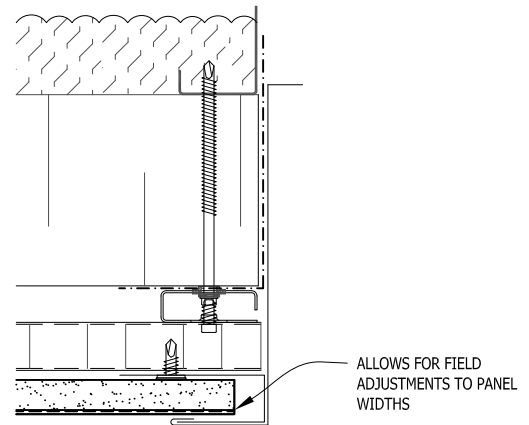
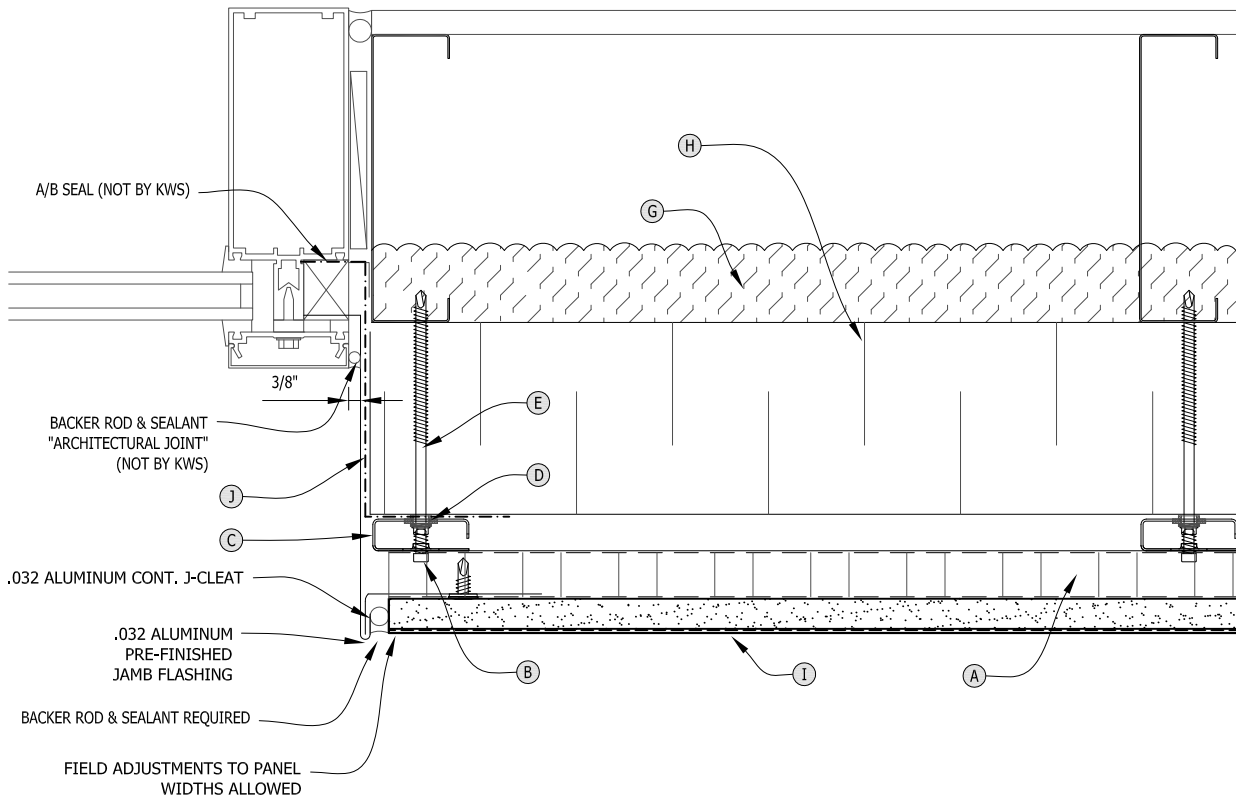
INSET WINDOW HEAD

Scale: 3" = 1'-0"

DATE: 03/31/11



KNIGHT™ SERIES  
 STUCCO  
 THERMAX™ WALL SYSTEM  
 GUIDE DETAIL



12A ALTERNATE WINDOW JAMB

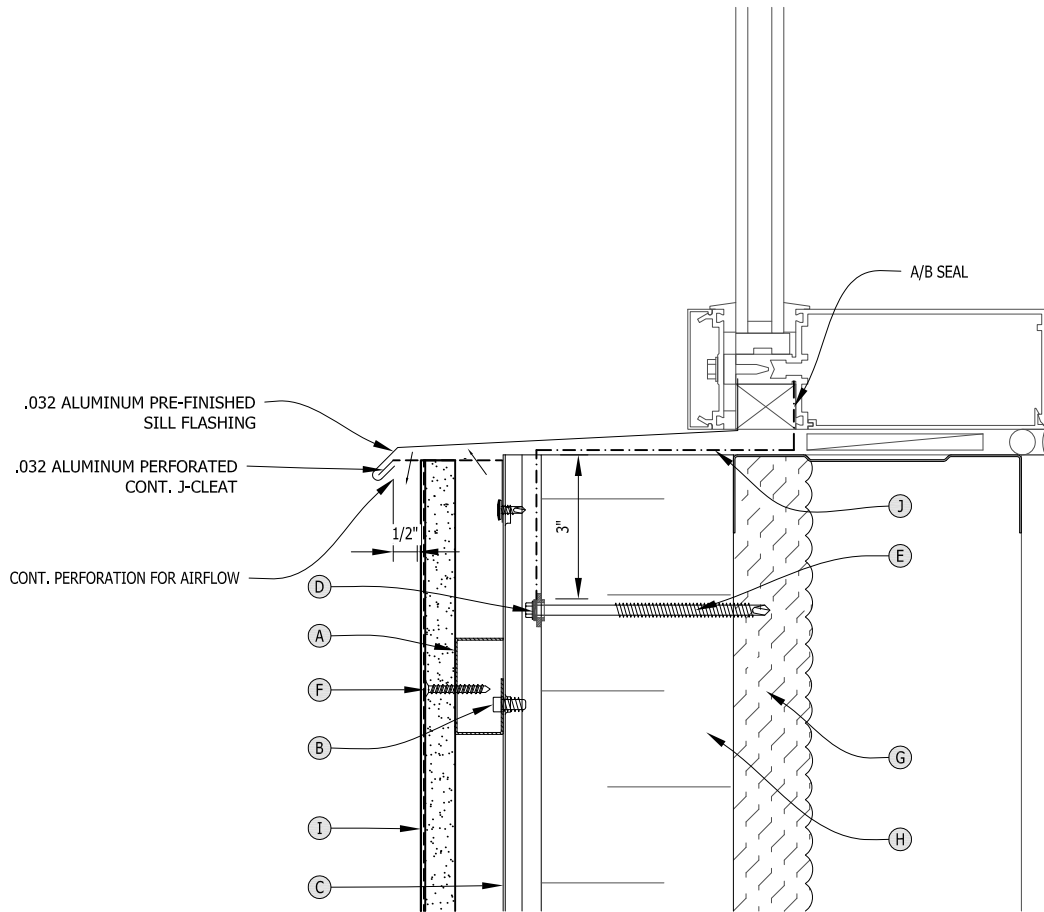
NOTE:  
 THESE GUIDE DETAILS ARE PROVIDED FOR INFORMATION ONLY.  
 PROJECT SPECIFIC DESIGNS ARE AVAILABLE THAT ADDRESS  
 STRUCTURAL ATTACHMENT, THERMAL PERFORMANCE AND  
 WEATHERPROOFING. CONTACT KWS FOR FURTHER DETAILS.  
 For multi-cladding transition details, or to download the CAD version  
 of these details, please visit us online at  
[www.knightwallsystems.com](http://www.knightwallsystems.com)  
 © Knight Wall Systems  
 Deer Park, WA - 509.262.0104  
 PATENT PENDING

12 INSET WINDOW JAMB  
 Scale: 3" = 1'-0"

DATE: 03/31/11



KNIGHT™ SERIES  
 STUCCO  
 THERMAX™ WALL SYSTEM  
 GUIDE DETAIL



**NOTE:**  
 THESE GUIDE DETAILS ARE PROVIDED FOR INFORMATION ONLY.  
 PROJECT SPECIFIC DESIGNS ARE AVAILABLE THAT ADDRESS  
 STRUCTURAL ATTACHMENT, THERMAL PERFORMANCE AND  
 WEATHERPROOFING. CONTACT KWS FOR FURTHER DETAILS.  
 For multi-cladding transition details, or to download the CAD version  
 of these details, please visit us online at  
[www.knightwallsystems.com](http://www.knightwallsystems.com)  
 © Knight Wall Systems  
 Deer Park, WA - 509.262.0104  
 PATENT PENDING

**13**

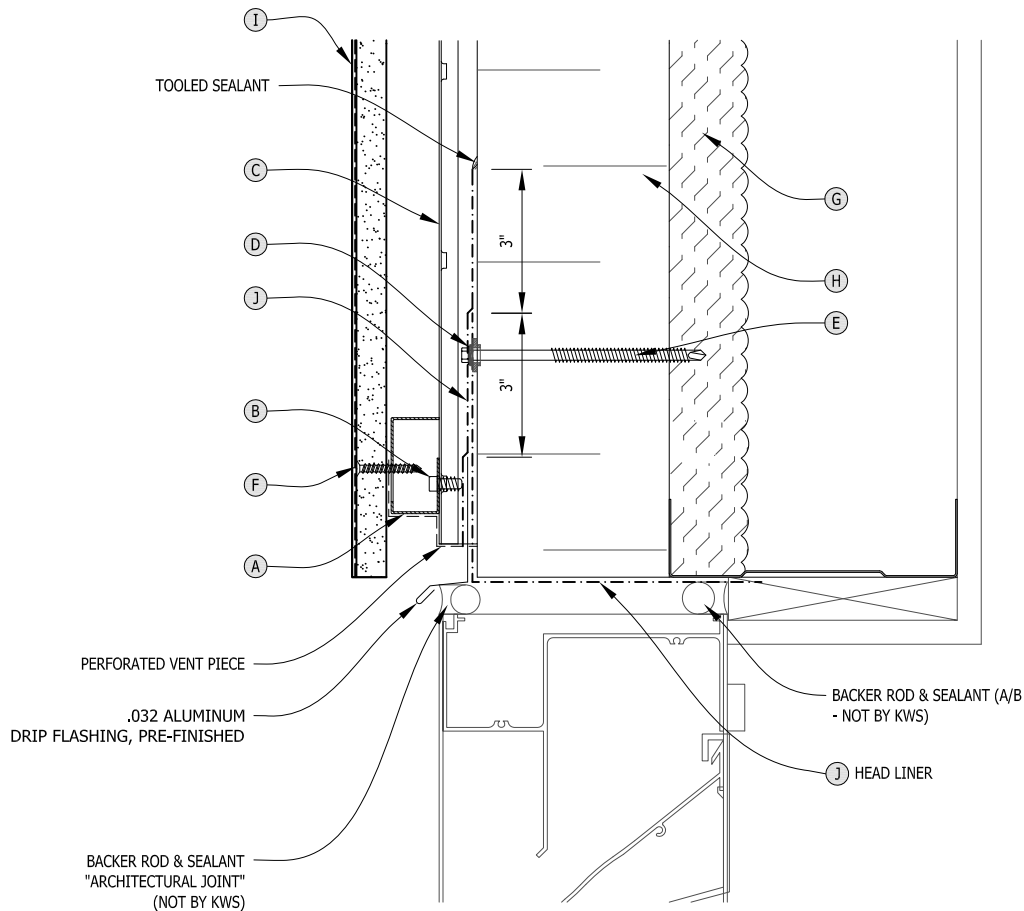
**INSET WINDOW SILL**

Scale: 3" = 1'-0"

DATE: 03/31/11



**KNIGHT™ SERIES  
 STUCCO  
 THERMAX™ WALL SYSTEM  
 GUIDE DETAIL**



**NOTE:**  
 THESE GUIDE DETAILS ARE PROVIDED FOR INFORMATION ONLY.  
 PROJECT SPECIFIC DESIGNS ARE AVAILABLE THAT ADDRESS  
 STRUCTURAL ATTACHMENT, THERMAL PERFORMANCE AND  
 WEATHERPROOFING. CONTACT KWS FOR FURTHER DETAILS.  
 For multi-cladding transition details, or to download the CAD version  
 of these details, please visit us online at  
[www.knightwallsystems.com](http://www.knightwallsystems.com)  
 © Knight Wall Systems  
 Deer Park, WA - 509.262.0104  
 PATENT PENDING

**14**

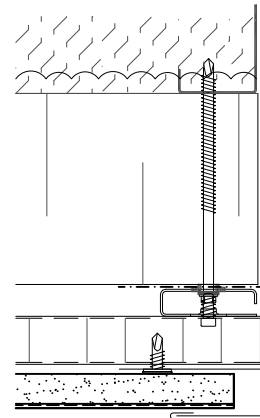
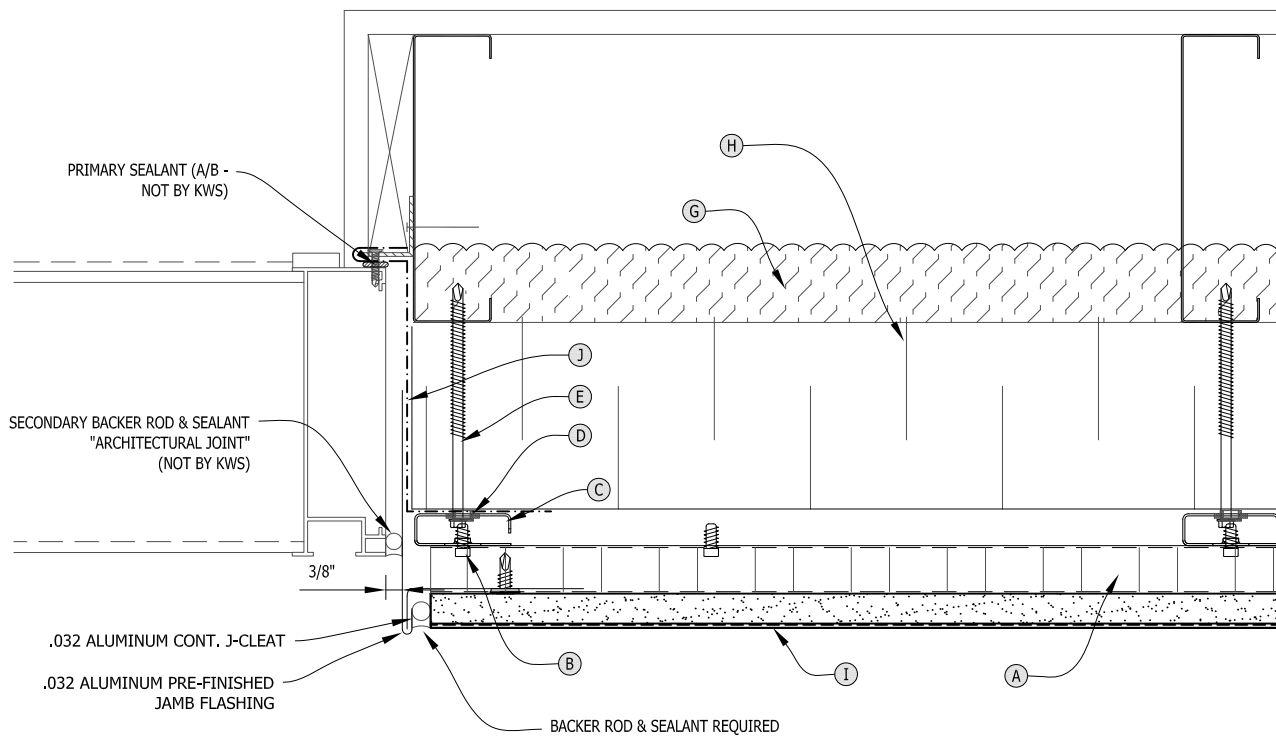
**LOUVER HEAD**

Scale: 3" = 1'-0"

DATE: 03/31/11



**KNIGHT™ SERIES  
 STUCCO  
 THERMAX™ WALL SYSTEM  
 GUIDE DETAIL**



15A ALTERNATE LOUVER JAMB

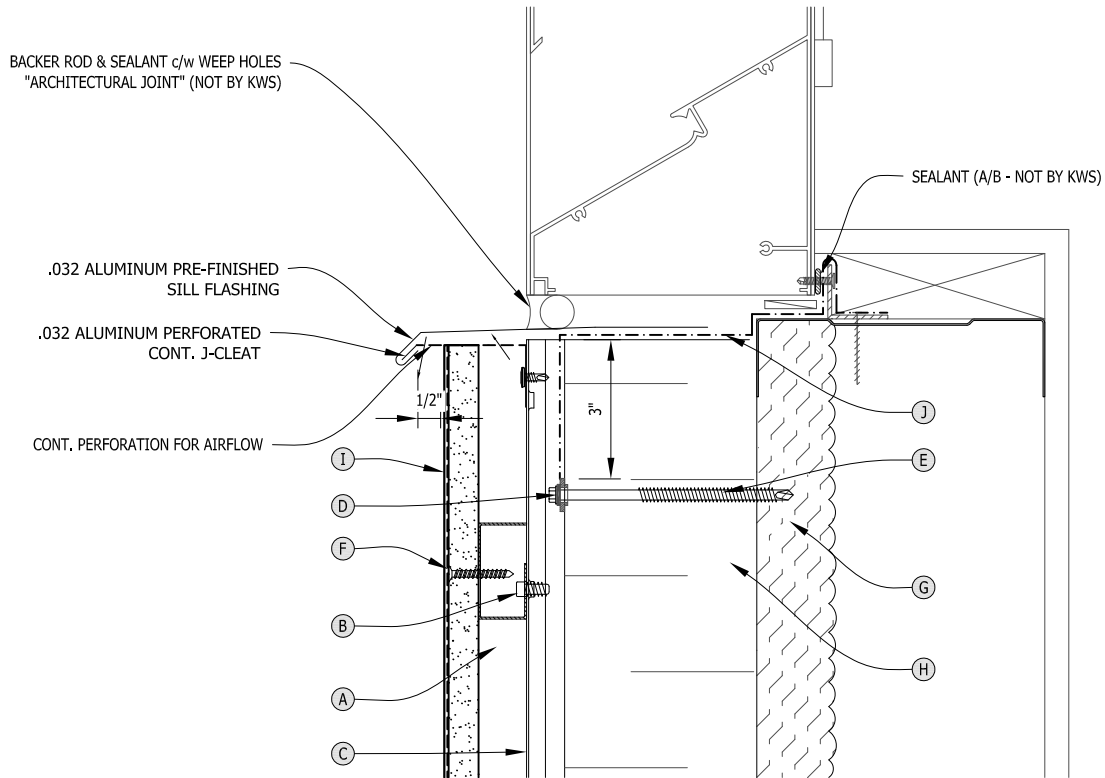
**NOTE:**  
 THESE GUIDE DETAILS ARE PROVIDED FOR INFORMATION ONLY. PROJECT SPECIFIC DESIGNS ARE AVAILABLE THAT ADDRESS STRUCTURAL ATTACHMENT, THERMAL PERFORMANCE AND WEATHERPROOFING. CONTACT KWS FOR FURTHER DETAILS. For multi-cladding transition details, or to download the CAD version of these details, please visit us online at [www.knightwallsystems.com](http://www.knightwallsystems.com)  
 © Knight Wall Systems  
 Deer Park, WA - 509.262.0104  
 PATENT PENDING

15 LOUVER JAMB RIGHT  
 Scale: 3" = 1'-0"

DATE: 03/31/11



KNIGHT™ SERIES  
 STUCCO  
 THERMAX™ WALL SYSTEM  
 GUIDE DETAIL



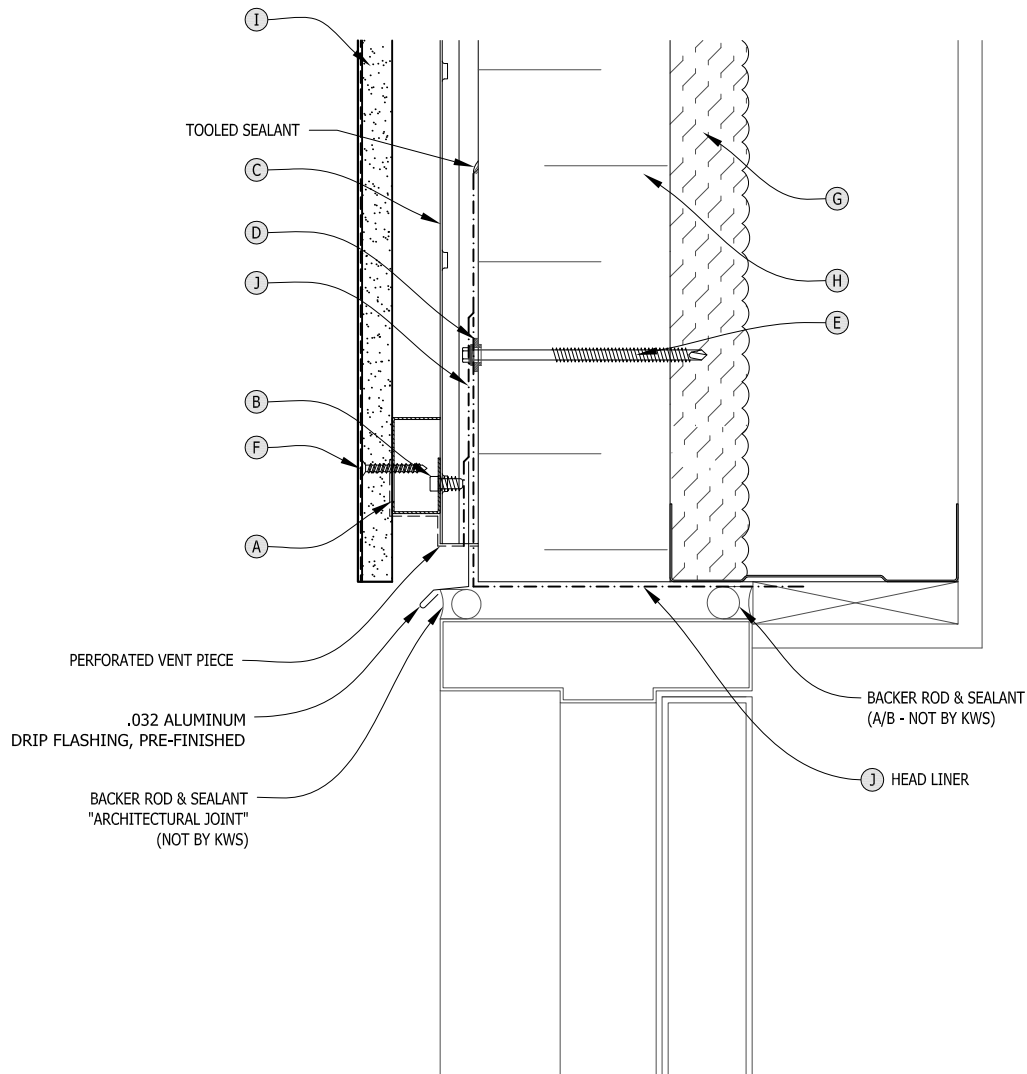
**NOTE:**  
 THESE GUIDE DETAILS ARE PROVIDED FOR INFORMATION ONLY.  
 PROJECT SPECIFIC DESIGNS ARE AVAILABLE THAT ADDRESS  
 STRUCTURAL ATTACHMENT, THERMAL PERFORMANCE AND  
 WEATHERPROOFING. CONTACT KWS FOR FURTHER DETAILS.  
 For multi-cladding transition details, or to download the CAD version  
 of these details, please visit us online at  
[www.knightwallsystems.com](http://www.knightwallsystems.com)  
 © Knight Wall Systems  
 Deer Park, WA - 509.262.0104  
 PATENT PENDING

**16** LOUVER SILL  
 Scale: 3" = 1'-0"

DATE: 03/31/11



KNIGHT™ SERIES  
 STUCCO  
 THERMAX™ WALL SYSTEM  
 GUIDE DETAIL



**NOTE:**  
 THESE GUIDE DETAILS ARE PROVIDED FOR INFORMATION ONLY.  
 PROJECT SPECIFIC DESIGNS ARE AVAILABLE THAT ADDRESS  
 STRUCTURAL ATTACHMENT, THERMAL PERFORMANCE AND  
 WEATHERPROOFING. CONTACT KWS FOR FURTHER DETAILS.  
 For multi-cladding transition details, or to download the CAD version  
 of these details, please visit us online at  
[www.knightwallsystems.com](http://www.knightwallsystems.com)  
 © Knight Wall Systems  
 Deer Park, WA - 509.262.0104  
 PATENT PENDING

**17**

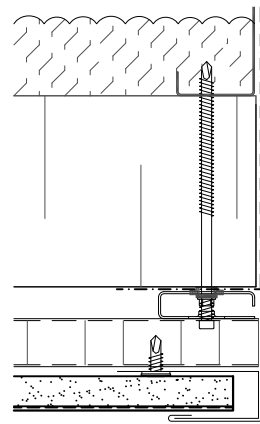
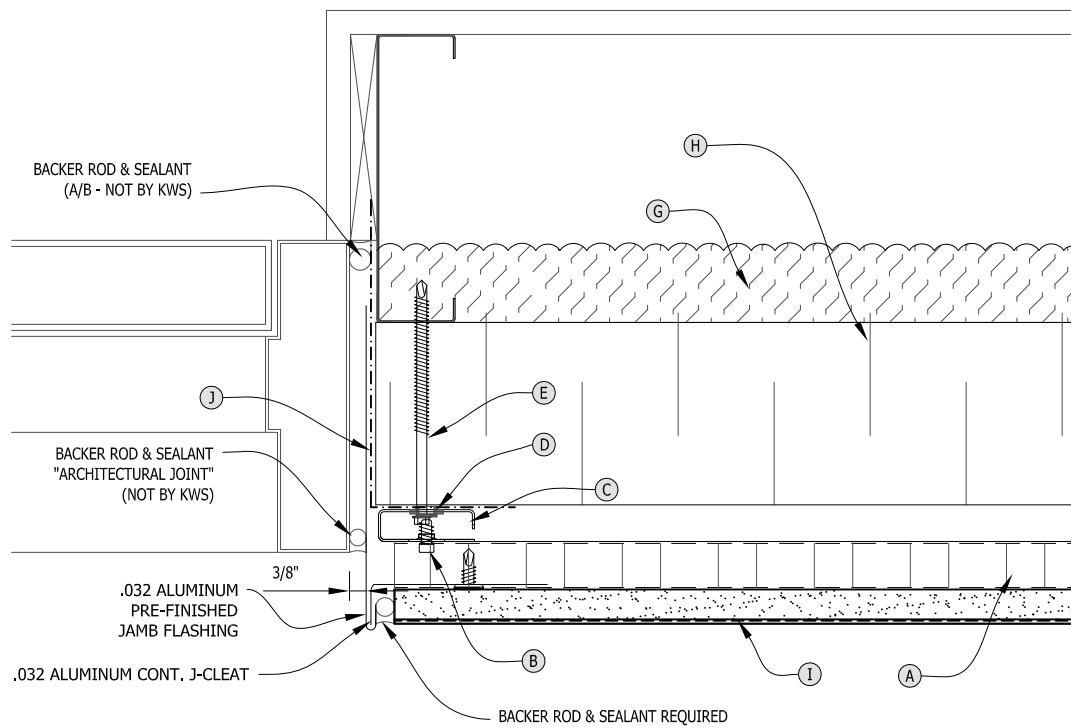
**DOOR HEAD**

Scale: 3" = 1'-0"

DATE: 03/31/11



**KNIGHT™ SERIES  
 STUCCO  
 THERMAX™ WALL SYSTEM  
 GUIDE DETAIL**



18A ALTERNATE DOOR JAMB

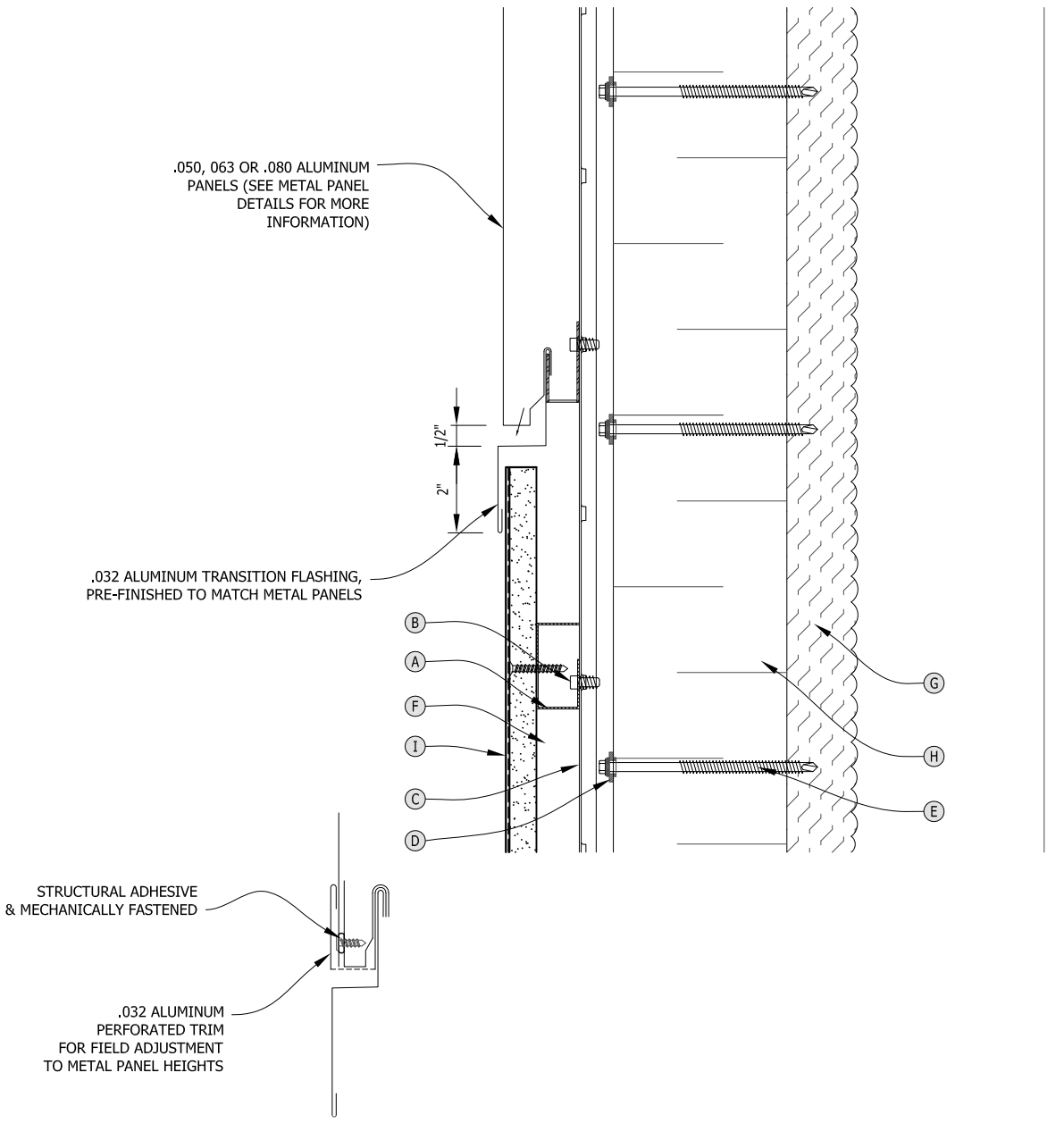
**NOTE:**  
 THESE GUIDE DETAILS ARE PROVIDED FOR INFORMATION ONLY.  
 PROJECT SPECIFIC DESIGNS ARE AVAILABLE THAT ADDRESS  
 STRUCTURAL ATTACHMENT, THERMAL PERFORMANCE AND  
 WEATHERPROOFING. CONTACT KWS FOR FURTHER DETAILS.  
 For multi-cladding transition details, or to download the CAD version  
 of these details, please visit us online at  
[www.knightwallsystems.com](http://www.knightwallsystems.com)  
 © Knight Wall Systems  
 Deer Park, WA - 509.262.0104  
 PATENT PENDING

18 DOOR JAMB RIGHT  
 Scale: 3" = 1'-0"

DATE: 03/31/11



KNIGHT™ SERIES  
 STUCCO  
 THERMAX™ WALL SYSTEM  
 GUIDE DETAIL



**19A ALTERNATE PANEL BASE**

**NOTE:**  
 THESE GUIDE DETAILS ARE PROVIDED FOR INFORMATION ONLY.  
 PROJECT SPECIFIC DESIGNS ARE AVAILABLE THAT ADDRESS  
 STRUCTURAL ATTACHMENT, THERMAL PERFORMANCE AND  
 WEATHERPROOFING. CONTACT KWS FOR FURTHER DETAILS.  
 For multi-cladding transition details, or to download the CAD version  
 of these details, please visit us online at  
[www.knightwallsystems.com](http://www.knightwallsystems.com)  
 © Knight Wall Systems  
 Deer Park, WA - 509.262.0104  
 PATENT PENDING

**19 PANEL BASE**  
 Scale: 3" = 1'-0"

DATE: 03/31/11



**KNIGHT™ SERIES  
 STUCCO  
 THERMAX™ WALL SYSTEM  
 GUIDE DETAIL**