



## DOW™-KNIGHT CI-SYSTEM FOR ASHRAE-COMPLIANT CONTINUOUS INSULATION: R-VALUE EQUALS REAL VALUE.

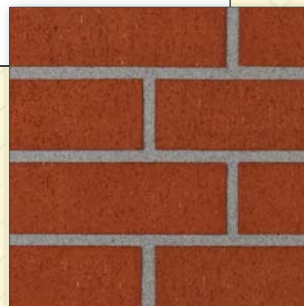
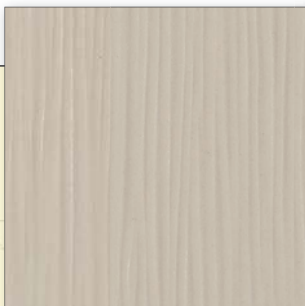
DOW™-KNIGHT CI-SYSTEM OFFERS MANY ADVANTAGES IN DESIGN, CONSTRUCTION AND LONG-LASTING THERMAL PERFORMANCE OF THE BUILDING. IN ADDITION TO MAXIMIZING ENERGY EFFICIENCY, OCCUPANT COMFORT AND UTILITY SAVINGS, A WIDE RANGE OF CLADDING OPTIONS ARE ALSO AVAILABLE FOR CUSTOMIZABLE BUILDING AESTHETICS.

DOW-KNIGHT CI-SYSTEM provides a complete rain screen solution that offers maximum energy efficiency and excellent moisture management. The CI-SYSTEM, featuring the patent pending THERMAX™ Wall System from Dow, delivers continuous insulation across all structural members, while reducing thermal bridging to isolated fasteners and service openings. This unique drop-in, all-in-one design meets or exceeds ASHRAE 90.1 requirements and can save time and money by reducing labor and assembly costs. The DOW-KNIGHT CI-System eliminates the need for any furring that penetrates the thermal barrier and disrupts the drainage plane in an effort to significantly minimize thermal shorts. This system provides superior thermal performance, moisture management and air barrier properties, while simplifying the wall assembly and meeting or exceeding today's energy standards.

### ADVANTAGES TO DOW-KNIGHT CI-SYSTEM:

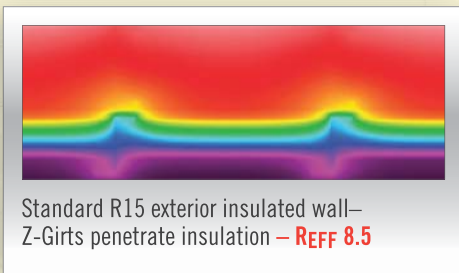
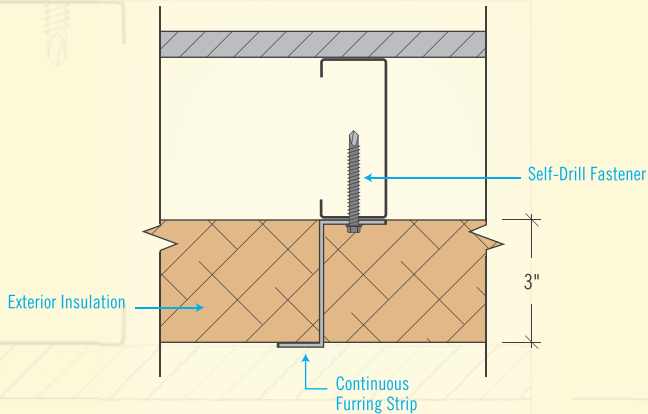
- Advanced design reduces long term energy consumption and CO<sub>2</sub> emissions.
- Enables use of thick rigid foam exterior insulation up to 3 inches\* with multiple claddings.
- Adaptable to all façades or cladding systems (see other KNIGHT product lines for CI options).
- Validated weather-resistant barrier system (tested to ASTM E330, E331 and ASTM 2357).
- Validated fire performance (complies with NFPA 285).
- Cost reductions from using fewer materials to reach the same insulation values.
- Maximize building sustainability – LEED credit potential.
- Rain screen reusability can be accomplished without damaging the building envelope.

\*Exact insulation thickness depends on specific cladding and wall assembly details per NFPA 285 fire approval.

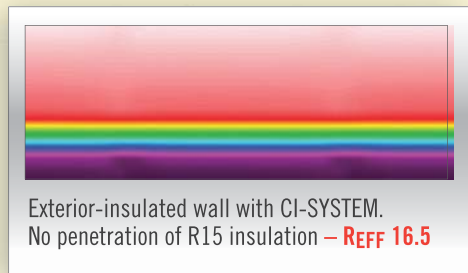
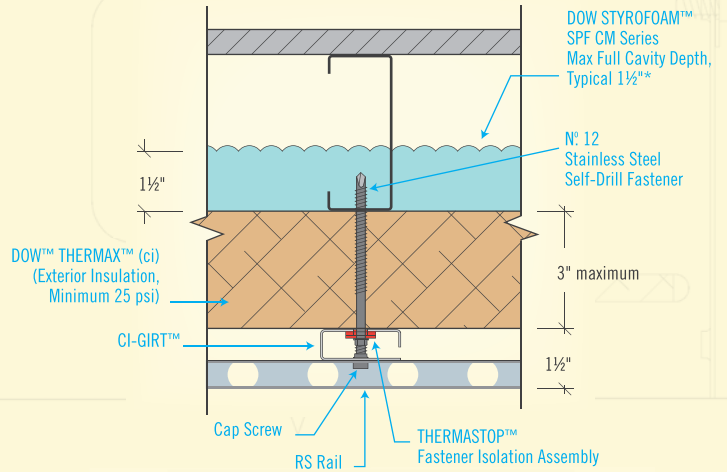


DOW-KNIGHT CI SYSTEM accommodates a wide variety of cladding options.

# DOW™-KNIGHT CI-SYSTEM: R-VALUE EQUALS REAL VALUE.



**CONVENTIONAL SYSTEM PLAN VIEW —**  
Fasteners Contribute to Energy Loss



**DOW-KNIGHT CI SYSTEM PLAN VIEW —**  
Minimizing the thermal impact of fasteners

\*Exact insulation thickness depends on specific cladding and wall assembly details per NFPA 285 fire approval.

**TO LEARN MORE VISIT [WWW.DOWKNIGHTSOLUTIONS.COM](http://WWW.DOWKNIGHTSOLUTIONS.COM)**

**NOTICE:** No freedom from any patent owned by Dow or others is to be inferred. Because use conditions and applicable laws may differ from one location to another and may change with time, Customer is responsible for determining whether products and the information in this document are appropriate for Customer's use and for ensuring that Customer's workplace and disposal practices are in compliance with applicable laws and other government enactments. The product shown in this literature may not be available for sale and/or available in all geographies where Dow is represented. The claims made may not have been approved for use in all countries or regions. Dow assumes no obligation or liability for the information in this document. References to "Dow" or the "Company" mean the Dow legal entity selling the products to Customer unless otherwise expressly noted. **NO EXPRESS WARRANTIES ARE GIVEN EXCEPT FOR ANY APPLICABLE WRITTEN WARRANTIES SPECIFICALLY PROVIDED BY DOW. ALL IMPLIED WARRANTIES INCLUDING THOSE OF MERCHANTABILITY AND FITNESS FOR A PARTICULAR PURPOSE ARE EXPRESSLY EXCLUDED.**

**CAUTION:** This product is combustible and shall only be used as specified by the local building code with respect to flame spread classification and to the use of a suitable barrier.

For more information, consult MSDS and/or call Dow at 1-866-583-BLUE (2583). In an emergency, call 1-989-636-4400.

**WARNING:** Rigid foam insulation does not constitute a working walkable surface or qualify as a fall protection product.

STYROFOAM™ Brand Spray Polyurethane Foam contains isocyanate, hydrofluorocarbon blowing agent and polyol. Read the instructions and Material Safety Data Sheet carefully before use. Wear protective clothing, gloves, goggles and proper respiratory protection. Supplied air or an approved air-purifying respirator equipped with an organic vapor sorbent and a particle filter is required to maintain exposure levels below ACGIH, OSHA, WEEL or other applicable limits. Provide adequate ventilation. Contents under pressure. STYROFOAM™ Brand SPF should be installed by a trained SPF applicator. Building and/or construction practices unrelated to building materials could greatly affect moisture and the potential for mold formation. No material supplier including Dow can give assurance that mold will not develop in any specific system.



**DOW KNIGHT WALL CONTINUOUS INSULATION RAIN SCREEN SYSTEMS CAN CONTRIBUTE TO THE FOLLOWING USGBC LEED CREDITS:**

- Energy & Atmosphere (EA) Prerequisite and Credit 1
- Materials & Resources (MR) Credits 2, 3, 4 and 5
- Indoor Environmental Quality (EQ) Credit 2 and 7.1
- Innovation and Design (ID) Process Credit 1
- Regional Bonus Credit 1.1



**Building Solutions**

200 Larkin Center, Midland, MI 48674  
www.thermaxwallssystem.com  
1.866.583.BLUE (2583)

**KNIGHT  
WALL SYSTEMS**

28308 N Cedar Road, Deer Park, WA 99006  
www.knightwallsystems.com  
1-855-597-9255 (KWS-WALL)  
509.262.0104

DOW, DOW DIAMOND LOGO, THERMAX and STYROFOAM are trademarks of The Dow Chemical Company.  
CI-SYSTEM and THERMASTOP are trademarks of Knight Wall Systems

form no. 179-04581